

MB earthing tapes

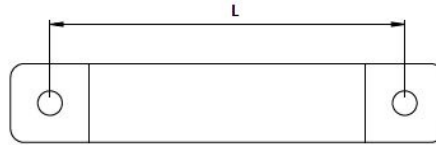
made of flexible E-Cu stranded wires with connecting end pads



Manufactured with highly flexible E-Cu stranded wires with connecting end pads made of tinned copper strips.

The minimum transition and connecting resistance makes them perfectly suitable for use as earthing tapes.

Earthing Tapes are available with M4, M5, M6, M8 or M10 connections and in some sizes with both connection sizes combined.



RoHS compliant



Specifications

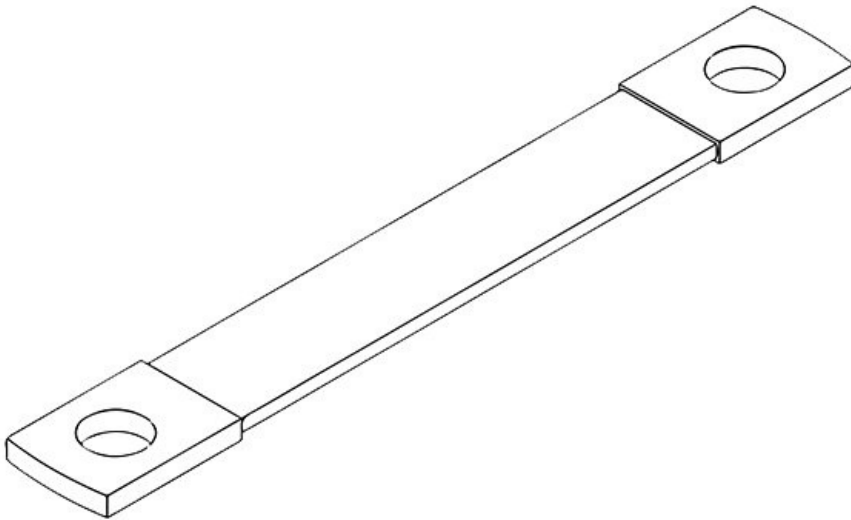
Material	Cu-ETP
Mounting options	Screw type mounting

Advantages & benefits

- Available in a variety of lengths and cross-sections
- Low impedances
- UL listed

Product types & sizes

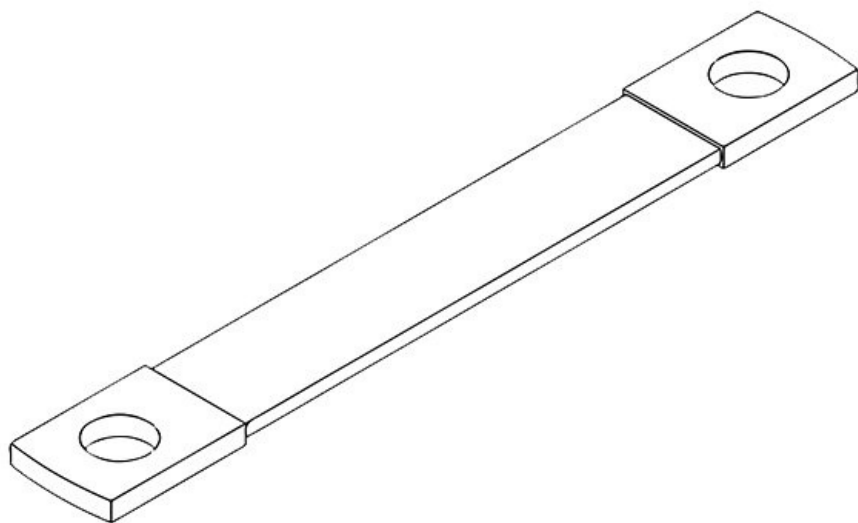
MB 1000|16|M8



Part No.	32778	Height	4 mm
EAN		Hole size	M8
Package quantity	1	Cross-section	16 mm²
Length	1.000 mm	Current load	132 - 157 A
Length L1	22 mm		
Length L2	823 mm		
Width	21 mm		

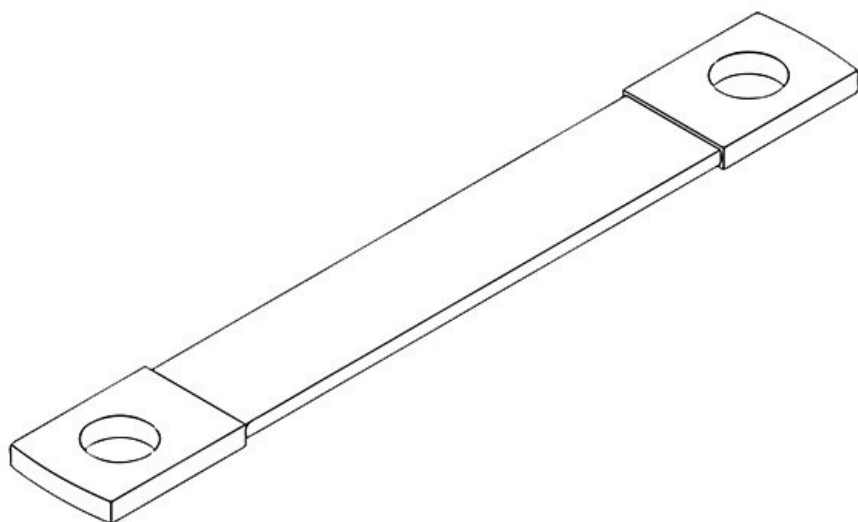
MB 100|10|M4+M6

Part No.	39711	Height	3 mm
EAN		Hole size	M4/ M6
Package quantity	1	Cross-section	10 mm²
Length	100 mm	Current load	89 - 106 A
Length L1	22 mm		
Length L2	120 mm		
Width	16 mm		



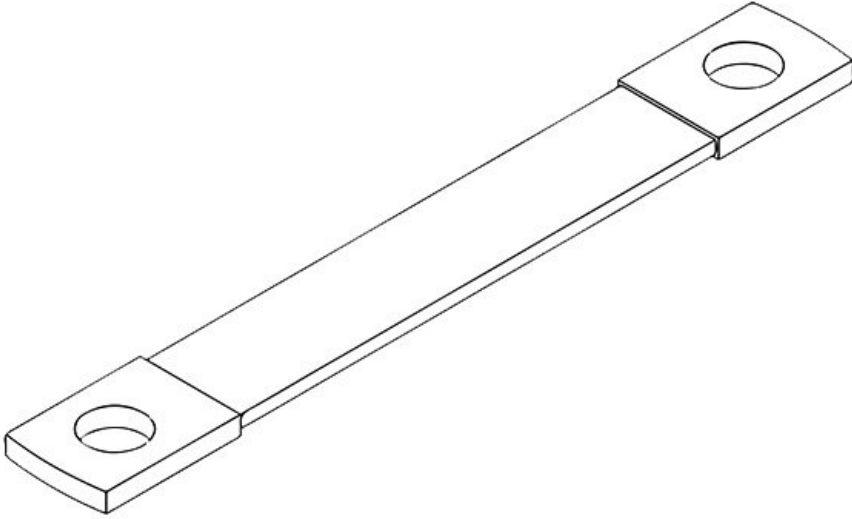
MB 100|10|M6

Part No.	32730	Height	3 mm
EAN	4251269301	Hole size	M6
Package quantity	476	Cross-section	10 mm²
Length	100 mm	Current load	89 - 106 A
Length L1	22 mm		
Length L2	120 mm		
Width	16 mm		



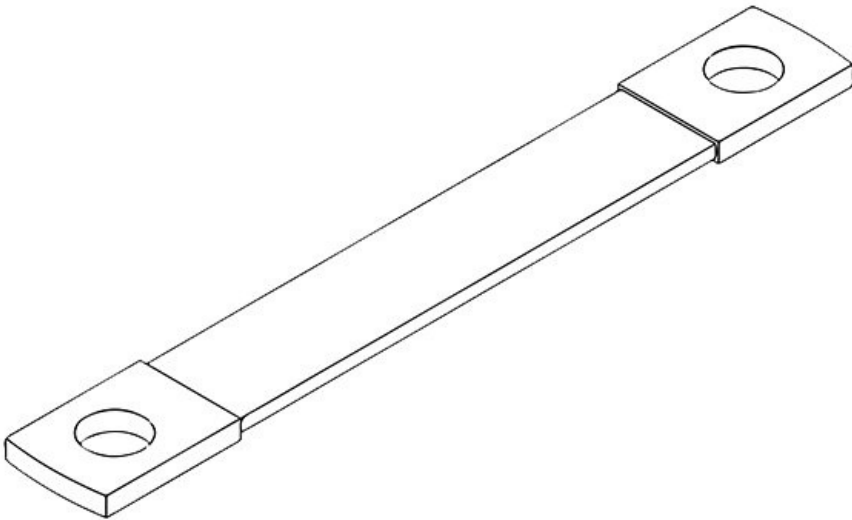
MB 100|10|M8

Part No.	32731	Height	3 mm
EAN	4251269301	Hole size	M8
	483	Cross-section	10 mm²
Package quantity	1	Current load	89 - 106 A
Length	100 mm		
Length L1	22 mm		
Length L2	120 mm		
Width	16 mm		



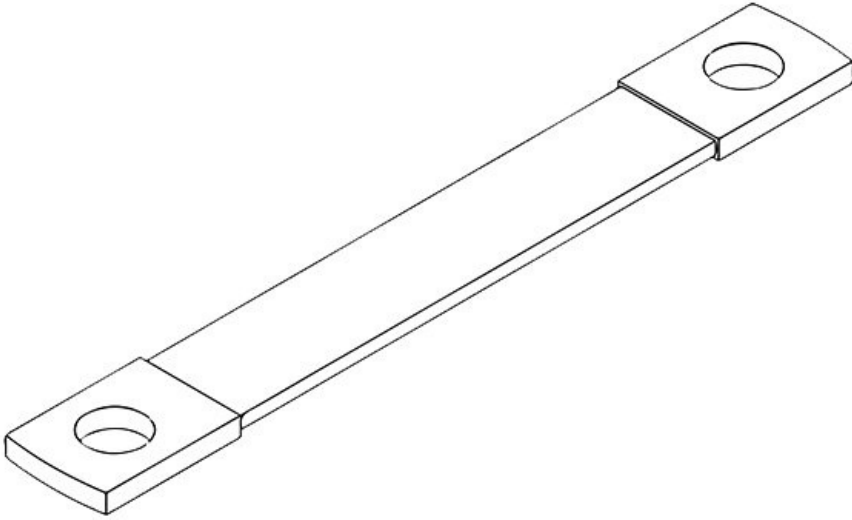
MB 100|16|M10

Part No.	32759	Height	3 mm
EAN	4251269322	Hole size	M10
	303	Cross-section	16 mm²
Package quantity	1	Current load	132 - 157 A
Length	100 mm		
Length L1	22 mm		
Length L2	120 mm		
Width	16 mm		



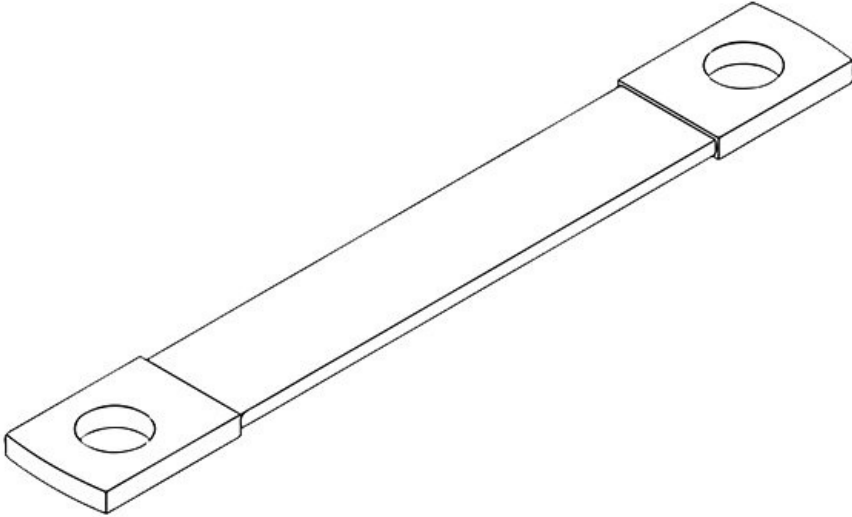
MB 100|16|M6

Part No.	32760	Height	3 mm
EAN	4251269301	Hole size	M6
	605	Cross-section	16 mm²
Package quantity	1	Current load	132 - 157 A
Length	100 mm		
Length L1	22 mm		
Length L2	120 mm		
Width	16 mm		



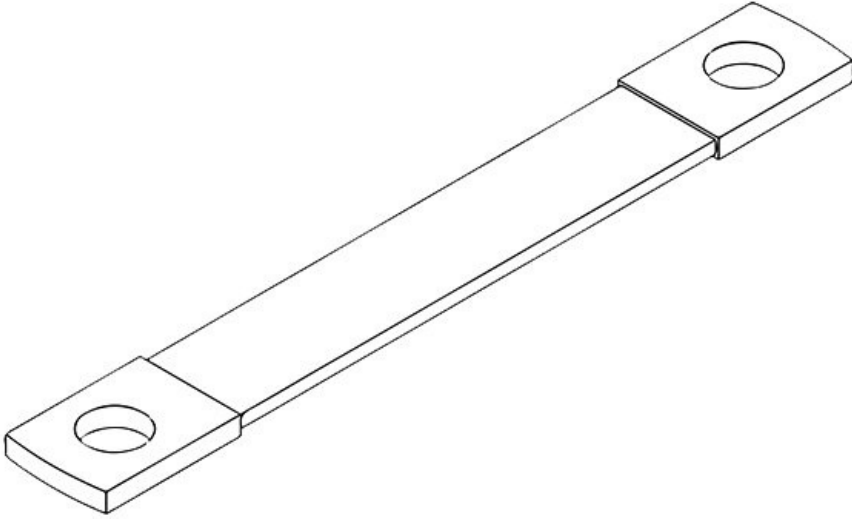
MB 100|16|M6+M8

Part No.	32758	Height	3 mm
EAN	4251269322	Hole size	M6/ M8
	099	Cross-section	16 mm²
Package quantity	1	Current load	132 - 157 A
Length	100 mm		
Length L1	22 mm		
Length L2	120 mm		
Width	16 mm		



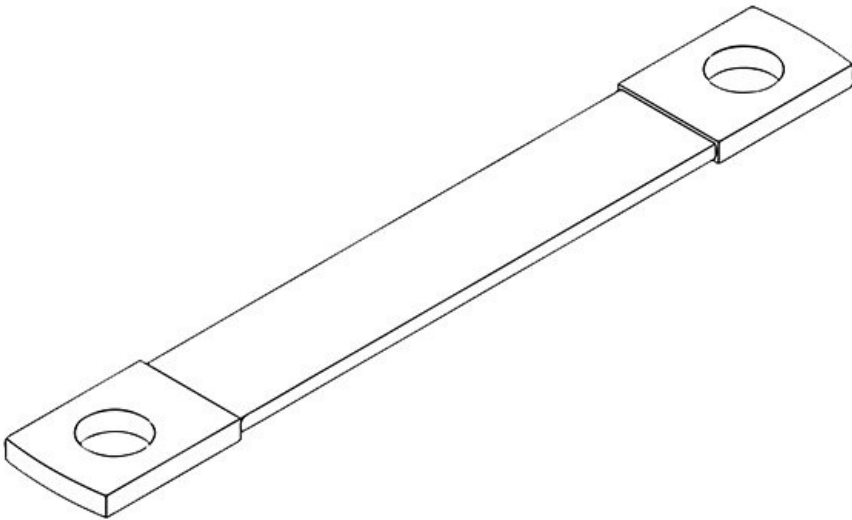
MB 100|16|M8

Part No.	32761	Height	3 mm
EAN	4251269301	Hole size	M8
	612	Cross-section	16 mm²
Package quantity	1	Current load	132 - 157 A
Length	100 mm		
Length L1	22 mm		
Length L2	120 mm		
Width	16 mm		



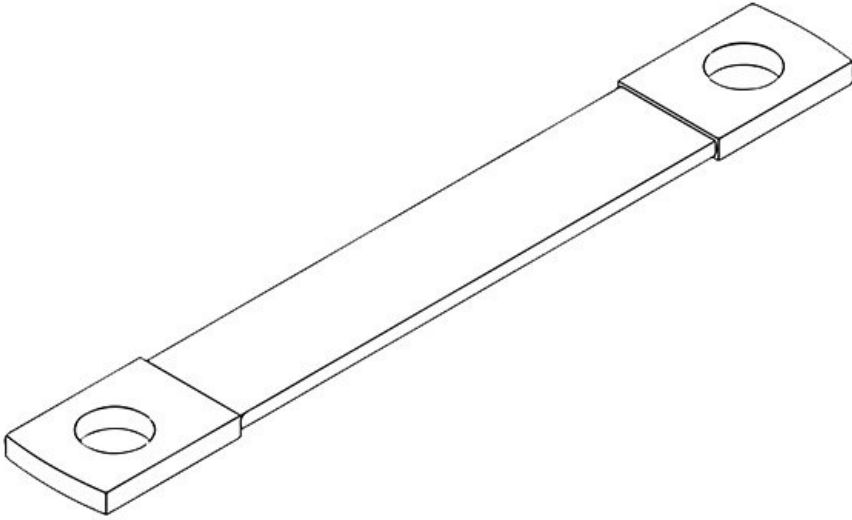
MB 100|25|M10

Part No.	32800	Height	4 mm
EAN	4251269301	Hole size	M10
	766	Cross-section	25 mm²
Package quantity	1	Current load	177 - 210 A
Length	100 mm		
Length L1	22 mm		
Length L2	123 mm		
Width	21 mm		

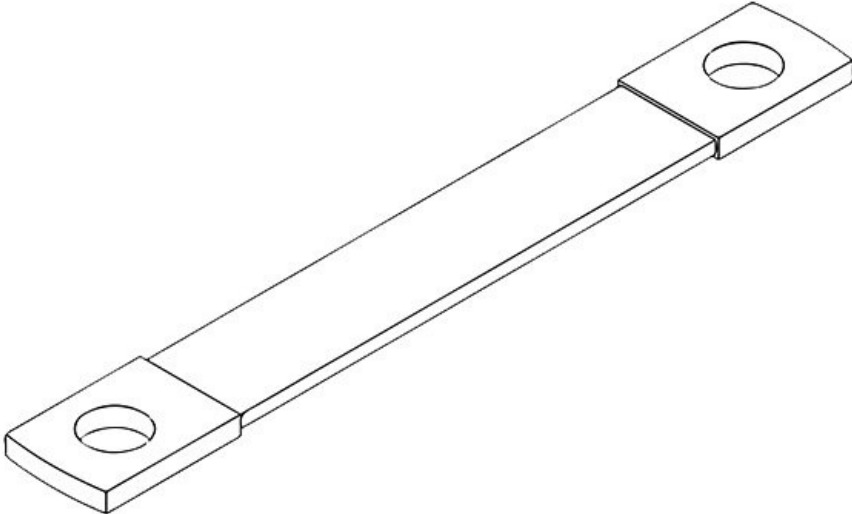


MB 100|6|M4

Part No.	32695	Height	2 mm
EAN	4251269324	Hole size	M4
	253	Cross-section	6 mm²
Package quantity	1	Current load	67 - 80 A
Length	100 mm		
Length L1	14 mm		
Length L2	113 mm		
Width	10 mm		

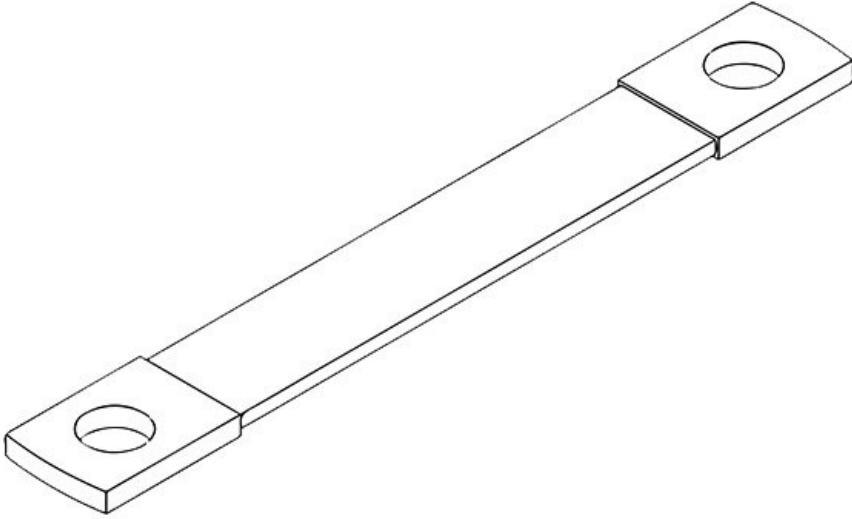
**MB 100|6|M6**

Part No.	32700	Height	2 mm
EAN	4251269301	Hole size	M6
	407	Cross-section	6 mm²
Package quantity	1	Current load	67 - 80 A
Length	100 mm		
Length L1	14 mm		
Length L2	113 mm		
Width	10 mm		



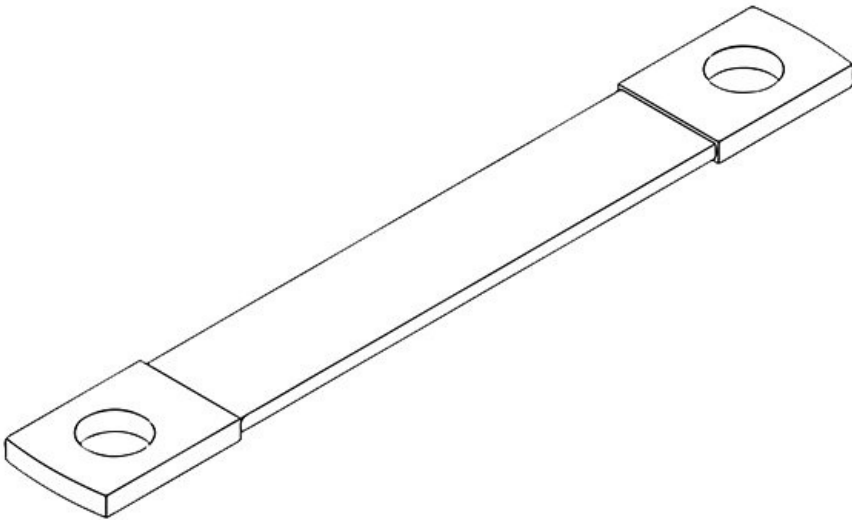
MB 150|10|M5

Part No.	32709	Height	3 mm
EAN	4251269322	Hole size	M5
	297	Cross-section	10 mm²
Package quantity	1	Current load	89 - 106 A
Length	150 mm		
Length L1	22 mm		
Length L2	170 mm		
Width	16 mm		



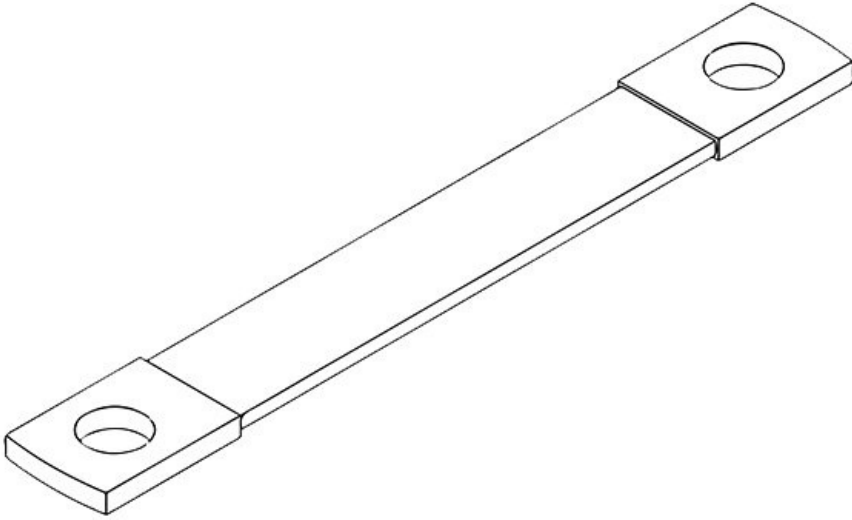
MB 150|10|M5+M6

Part No.	32746	Height	3 mm
EAN	4251269322	Hole size	M5/ M6
	082	Cross-section	10 mm²
Package quantity	1	Current load	89 - 106 A
Length	150 mm		
Length L1	22 mm		
Length L2	170 mm		
Width	16 mm		



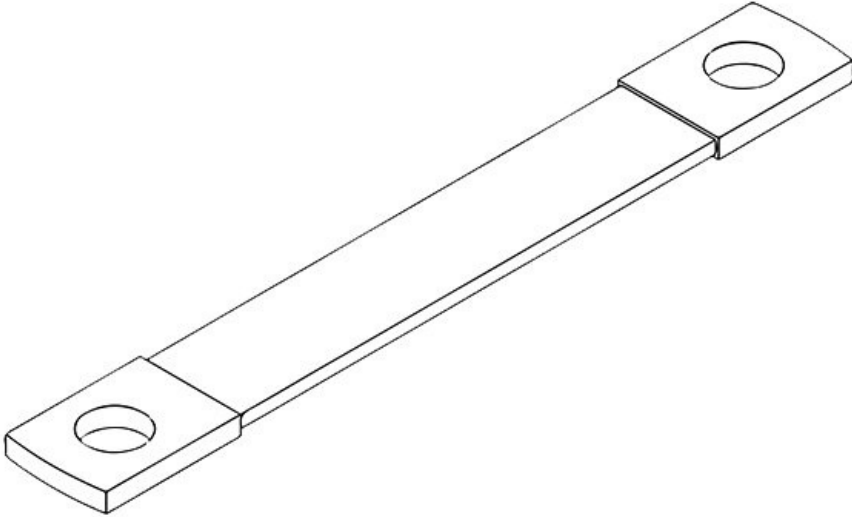
MB 150|10|M8

Part No.	32732	Height	3 mm
EAN	4251269301	Hole size	M8
	490	Cross-section	10 mm²
Package quantity	1	Current load	89 - 106 A
Length	150 mm		
Length L1	22 mm		
Length L2	170 mm		
Width	16 mm		



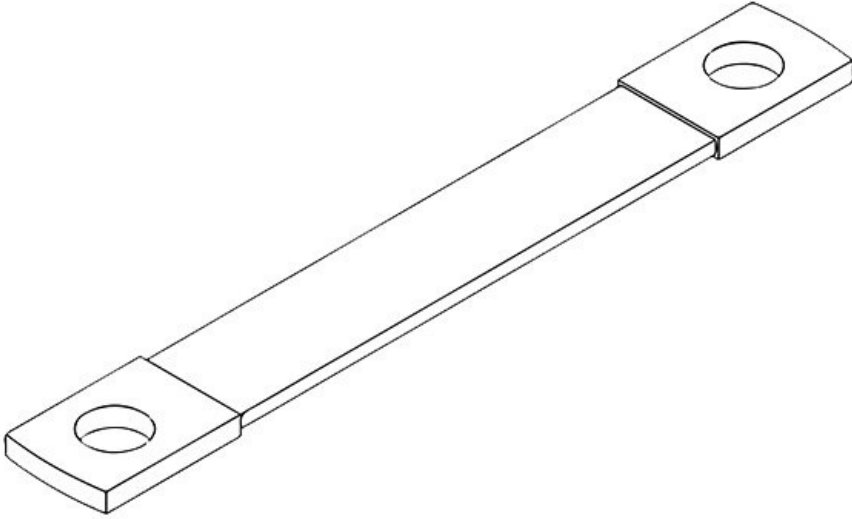
MB 150|16|M6

Part No.	32762	Height	3 mm
EAN	4251269301	Hole size	M6
	629	Cross-section	16 mm²
Package quantity	1	Current load	132 - 157 A
Length	150 mm		
Length L1	22 mm		
Length L2	170 mm		
Width	16 mm		



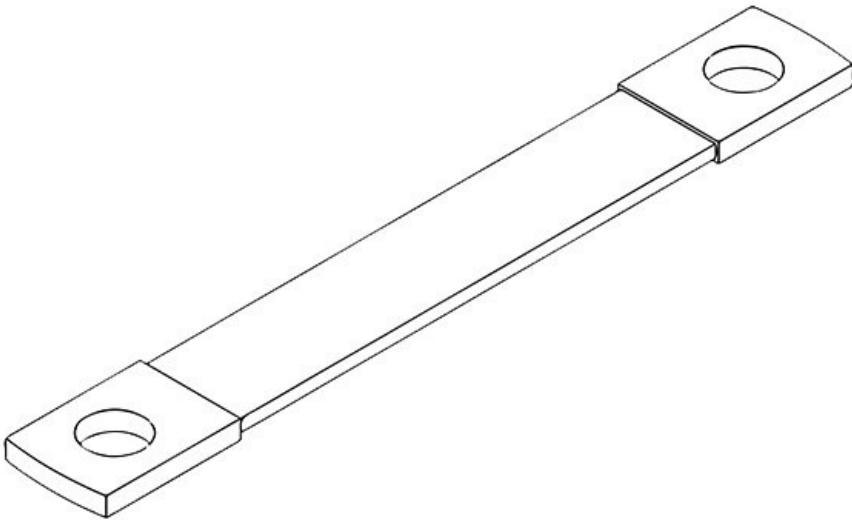
MB 150|16|M8

Part No.	32763	Height	3 mm
EAN	4251269301636	Hole size	M8
		Cross-section	16 mm²
Package quantity	1	Current load	132 - 157 A
Length	150 mm		
Length L1	22 mm		
Length L2	170 mm		
Width	16 mm		



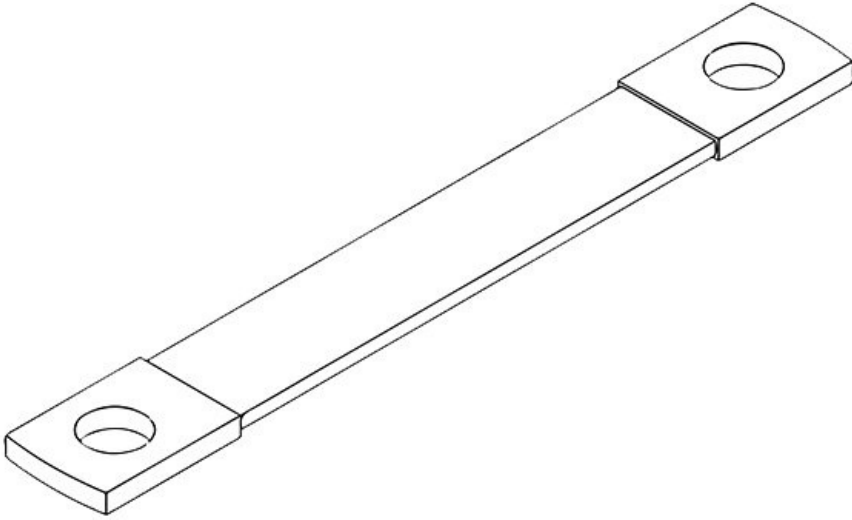
MB 150|25|M10

Part No.	32801	Height	4 mm
EAN	4251269301773	Hole size	M10
		Cross-section	25 mm²
Package quantity	1	Current load	177 - 210 A
Length	150 mm		
Length L1	22 mm		
Length L2	173 mm		
Width	21 mm		



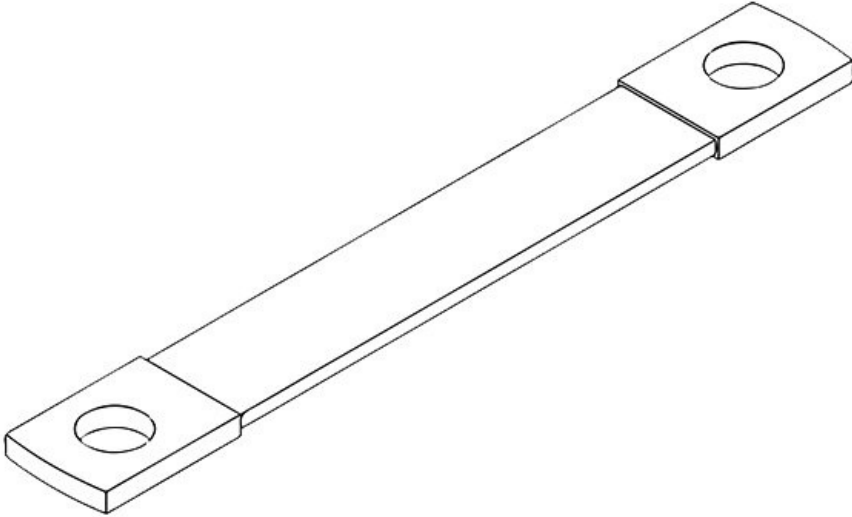
MB 150|50|M10

Part No.	32847	Height	5 mm
EAN	4251269322	Hole size	M10
	198	Cross-section	50 mm²
Package quantity	1	Current load	280 - 350 A
Length	150 mm		
Length L1	25 mm		
Length L2	177 mm		
Width	26 mm		



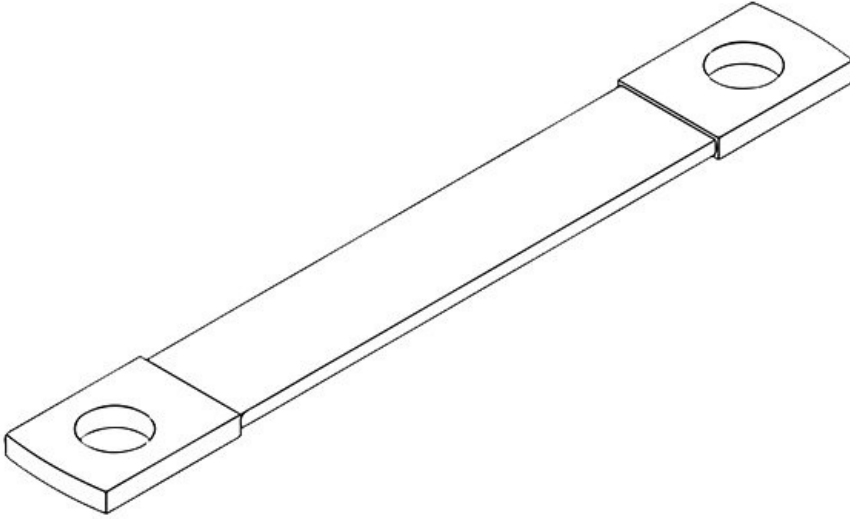
MB 150|6|M4

Part No.	39710	Height	3 mm
EAN		Hole size	M4
Package quantity	1	Cross-section	6 mm²
Length	150 mm	Current load	67 - 80 A
Length L1	14 mm		
Length L2	163 mm		
Width	10 mm		

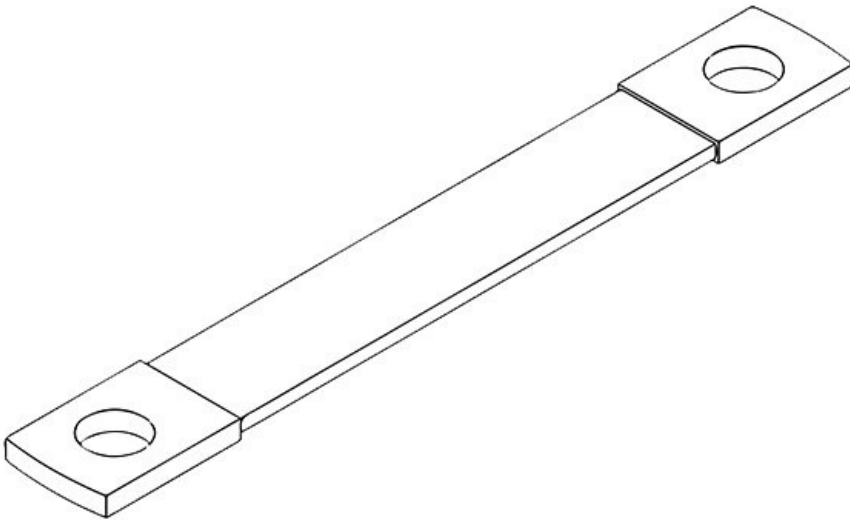


MB 150|6|M6

Part No.	32701	Height	2 mm
EAN	4251269301	Hole size	M6
	414	Cross-section	6 mm²
Package quantity	1	Current load	67 - 80 A
Length	150 mm		
Length L1	14 mm		
Length L2	163 mm		
Width	10 mm		

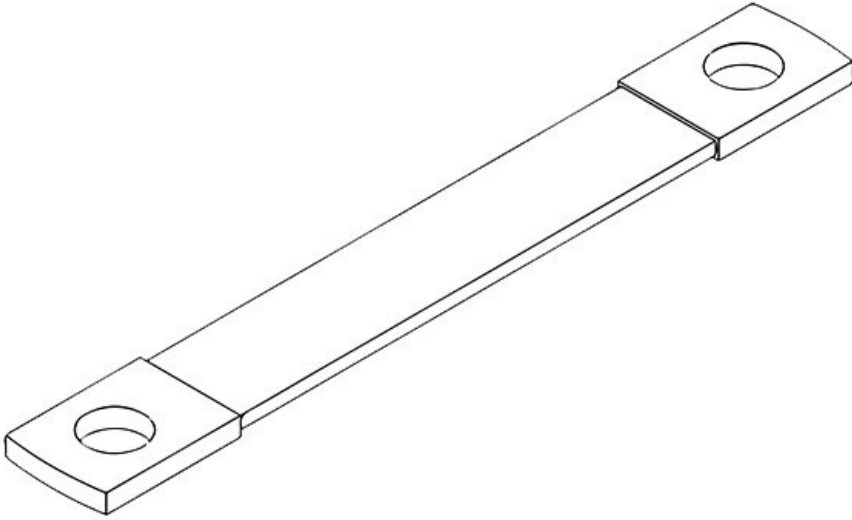
**MB 200|10|M5**

Part No.	32744	Height	3 mm
EAN	4251269322	Hole size	M5
	266	Cross-section	10 mm²
Package quantity	1	Current load	89 - 106 A
Length	200 mm		
Length L1	22 mm		
Length L2	220 mm		
Width	16 mm		



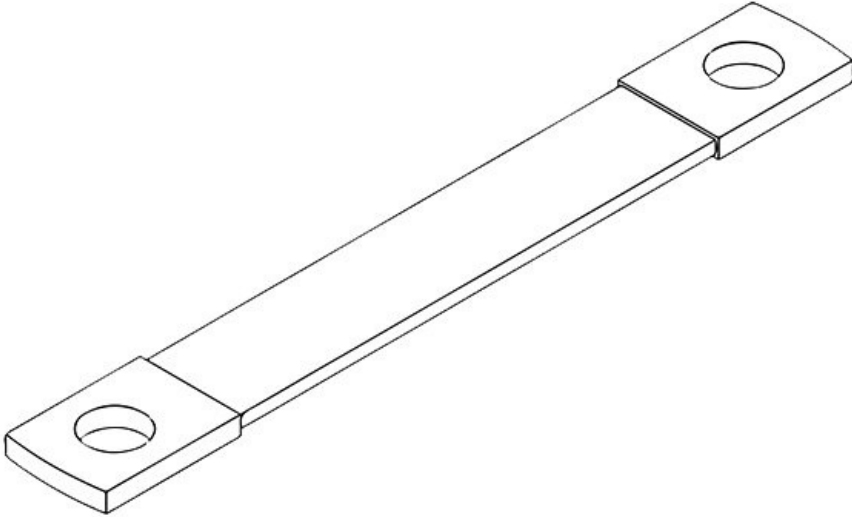
MB 200|10|M6

Part No.	32733	Height	3 mm
EAN	4251269301	Hole size	M6
	506	Cross-section	10 mm²
Package quantity	1	Current load	89 - 106 A
Length	200 mm		
Length L1	22 mm		
Length L2	220 mm		
Width	16 mm		



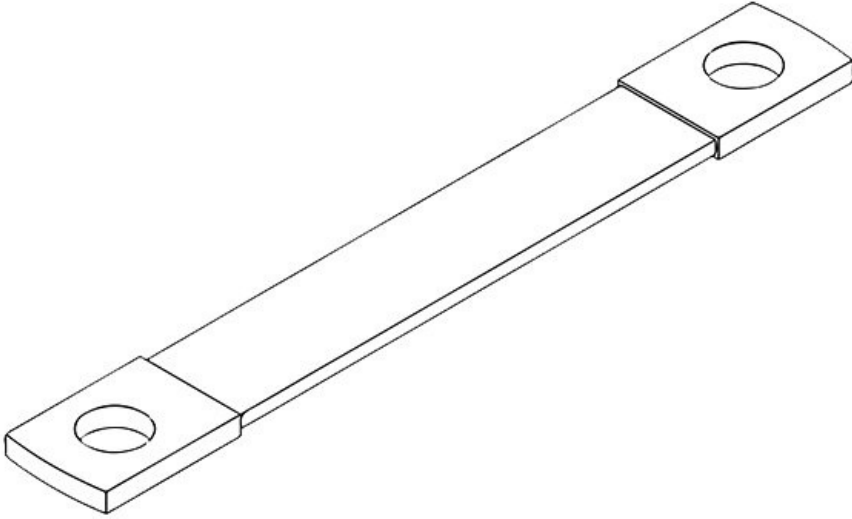
MB 200|10|M6+M8

Part No.	32741	Height	3 mm
EAN	4251269301	Hole size	M6/ M8
	575	Cross-section	10 mm²
Package quantity	1	Current load	89 - 106 A
Length	200 mm		
Length L1	22 mm		
Length L2	220 mm		
Width	16 mm		



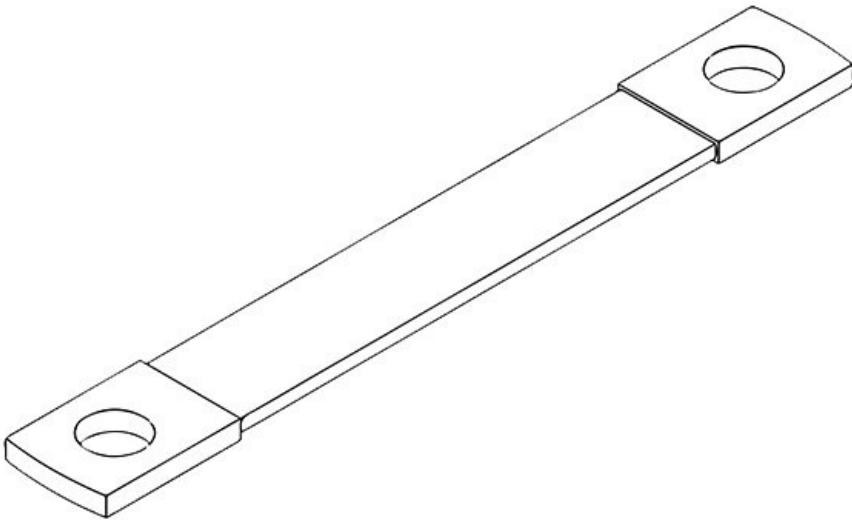
MB 200|10|M8

Part No.	32734	Height	3 mm
EAN	4251269301	Hole size	M8
	513	Cross-section	10 mm²
Package quantity	1	Current load	89 - 106A
Length	200 mm		
Length L1	22 mm		
Length L2	220 mm		
Width	16 mm		



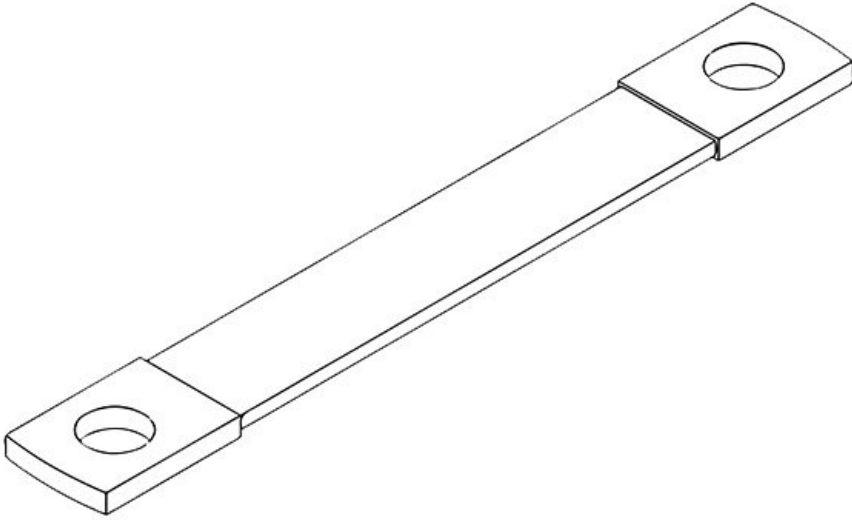
MB 200|16|M5+M6

Part No.	32776	Height	3 mm
EAN	4251269322	Hole size	M5/ M6
	105	Cross-section	16 mm²
Package quantity	1	Current load	132 - 157 A
Length	200 mm		
Length L1	22 mm		
Length L2	220 mm		
Width	16 mm		



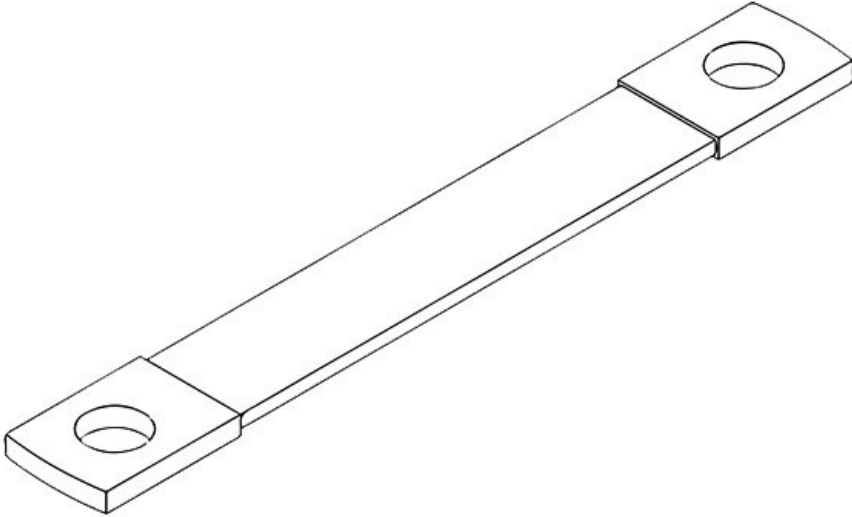
MB 200|16|M6

Part No.	32764	Height	3 mm
EAN	4251269301643	Hole size	M6
		Cross-section	16 mm²
Package quantity	1	Current load	132 - 157 A
Length	200 mm		
Length L1	22 mm		
Length L2	220 mm		
Width	16 mm		



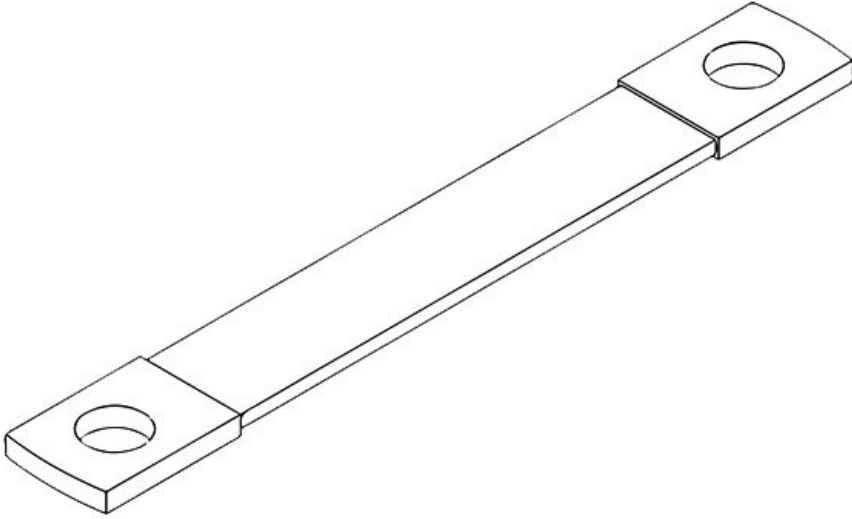
MB 200|16|M6+M8

Part No.	32773	Height	3 mm
EAN	4251269301735	Hole size	M6/ M8
		Cross-section	16 mm²
Package quantity	1	Current load	132 - 157 A
Length	200 mm		
Length L1	22 mm		
Length L2	220 mm		
Width	16 mm		



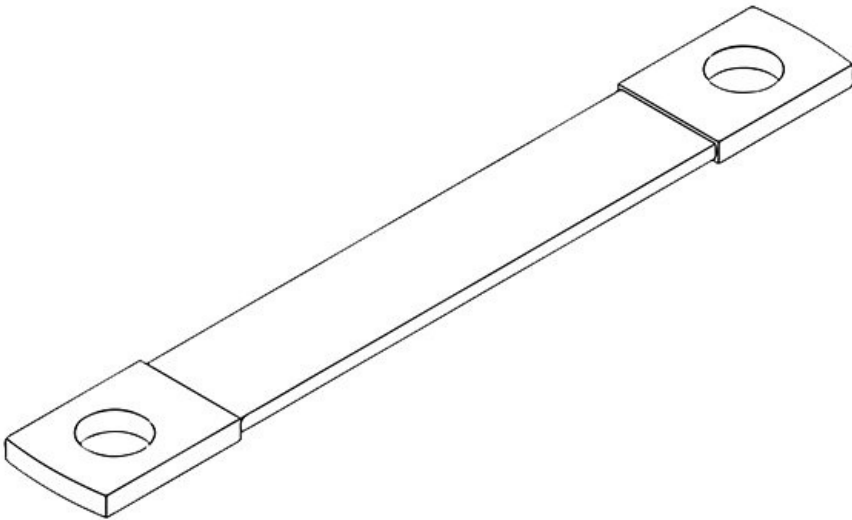
MB 200|16|M8

Part No.	32765	Height	3 mm
EAN	4251269301650	Hole size	M8
		Cross-section	16 mm²
Package quantity	1	Current load	132 - 157 A
Length	200 mm		
Length L1	22 mm		
Length L2	220 mm		
Width	16 mm		



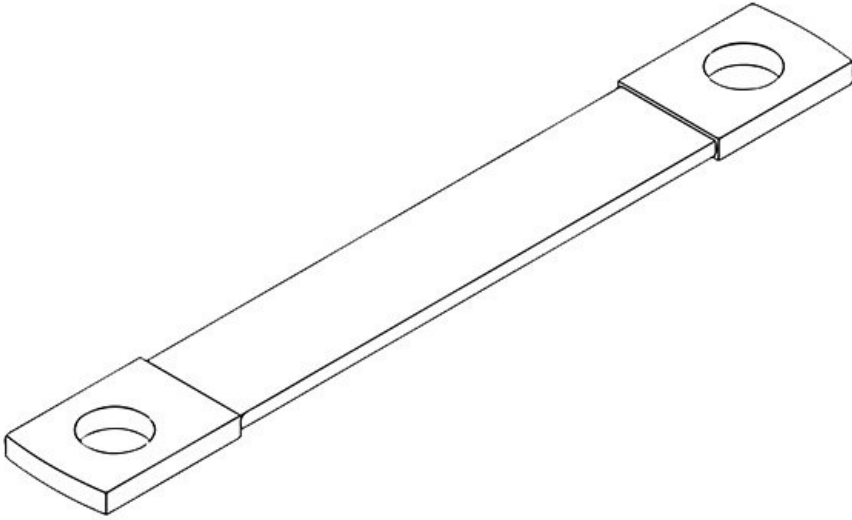
MB 200|25|M10

Part No.	32803	Height	4 mm
EAN	4251269301797	Hole size	M10
		Cross-section	25 mm²
Package quantity	1	Current load	177 - 210 A
Length	200 mm		
Length L1	22 mm		
Length L2	223 mm		
Width	21 mm		



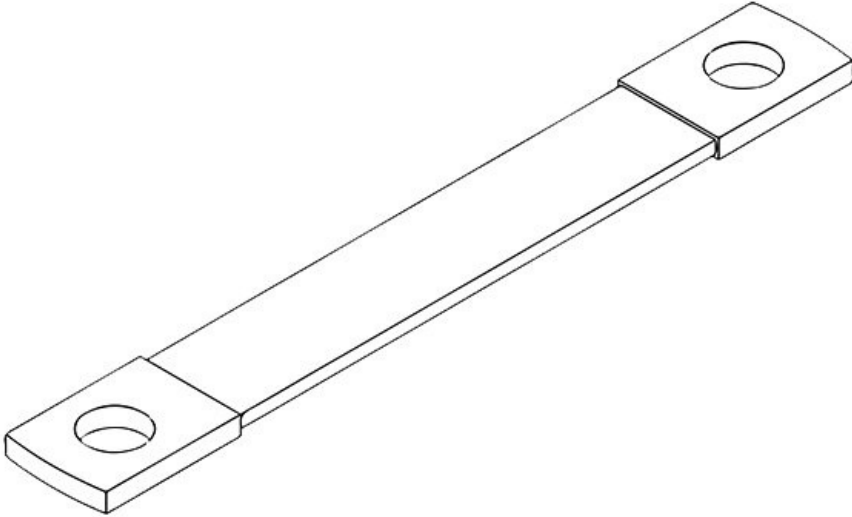
MB 200|25|M8

Part No.	32802	Height	4 mm
EAN	4251269301	Hole size	M8
	780	Cross-section	25 mm²
Package quantity	1	Current load	177 - 210 A
Length	250 mm		
Length L1	22 mm		
Length L2	223 mm		
Width	21 mm		



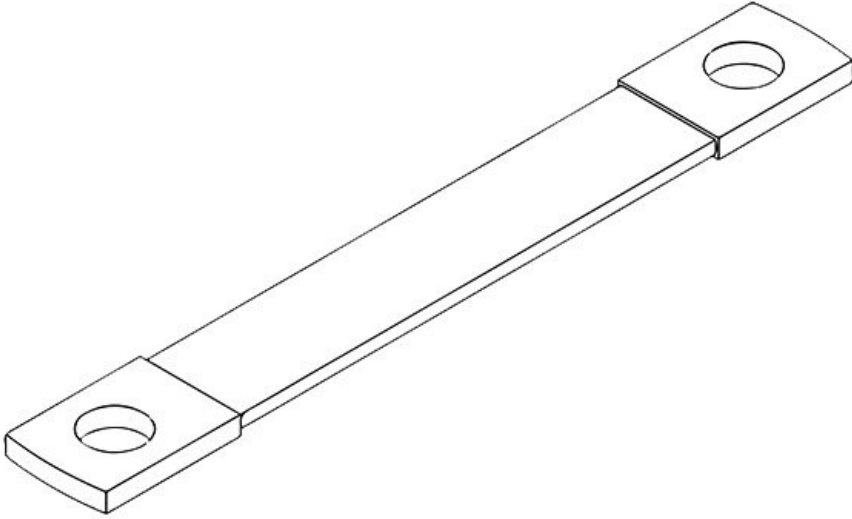
MB 200|35|M10

Part No.	32823	Height	4,5 mm
EAN	4251269322	Hole size	M10
	167	Cross-section	35 mm²
Package quantity	1	Current load	230 - 275 A
Length	200 mm		
Length L1	25 mm		
Length L2	227 mm		
Width	26 mm		



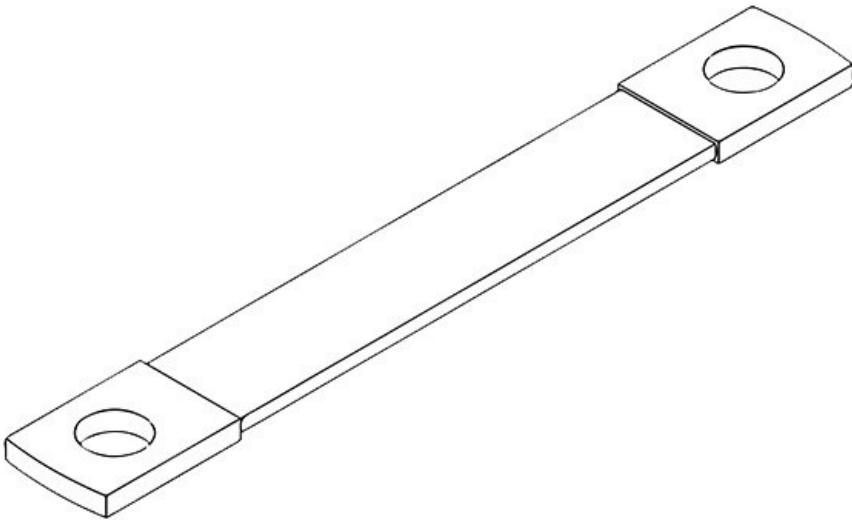
MB 200|50|M10

Part No.	32848	Height	5 mm
EAN	4251269322	Hole size	M10
	204	Cross-section	50 mm²
Package quantity	1	Current load	280 - 350 A
Length	200 mm		
Length L1	25 mm		
Length L2	227 mm		
Width	26 mm		



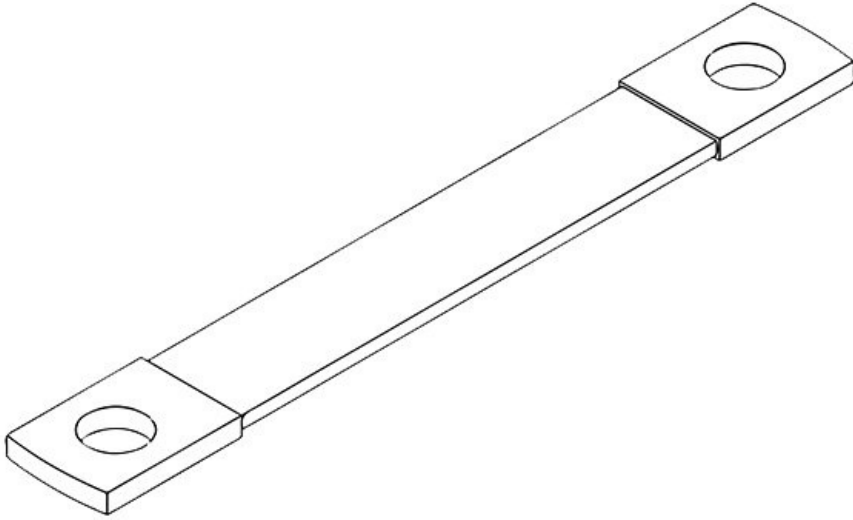
MB 200|6|M4

Part No.	32707	Height	2 mm
EAN	4251269322	Hole size	M4
	273	Cross-section	6 mm²
Package quantity	1	Current load	67 - 80 A
Length	200 mm		
Length L1	14 mm		
Length L2	213 mm		
Width	10 mm		

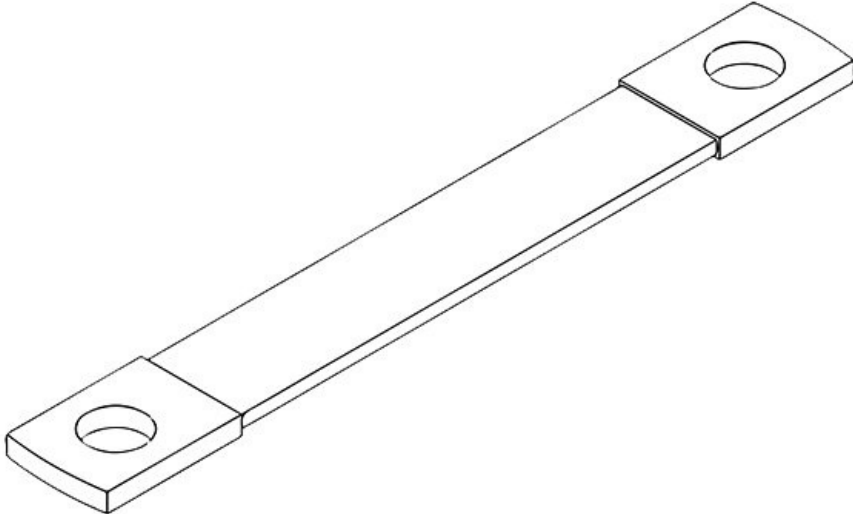


MB 200|6|M6

Part No.	32702	Height	2 mm
EAN	4251269301	Hole size	M6
	421	Cross-section	6 mm²
Package quantity	1	Current load	67 - 80 A
Length	200 mm		
Length L1	14 mm		
Length L2	213 mm		
Width	10 mm		

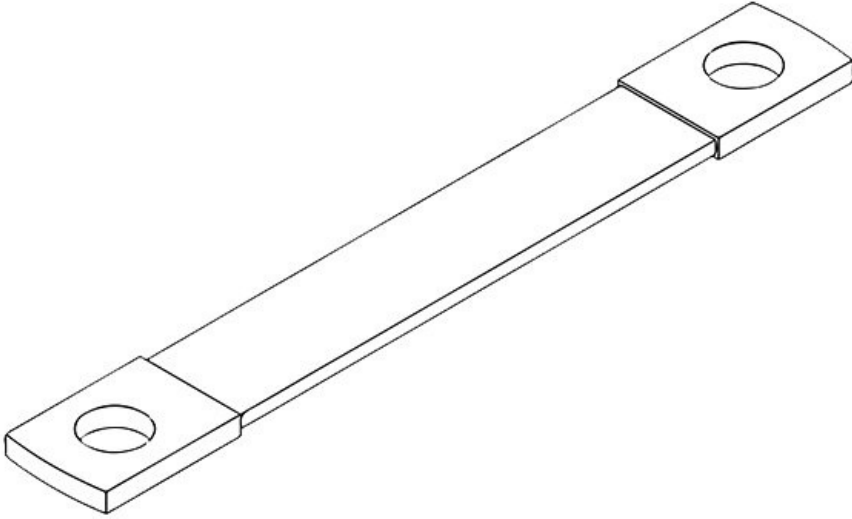
**MB 200|70|M10**

Part No.	32868	Height	6,2 mm
EAN	4251269322	Hole size	M10
	235	Cross-section	70 mm²
Package quantity	1	Current load	338 - 403 A
Length	200 mm		
Length L1	25 mm		
Length L2	227 mm		
Width	26 mm		



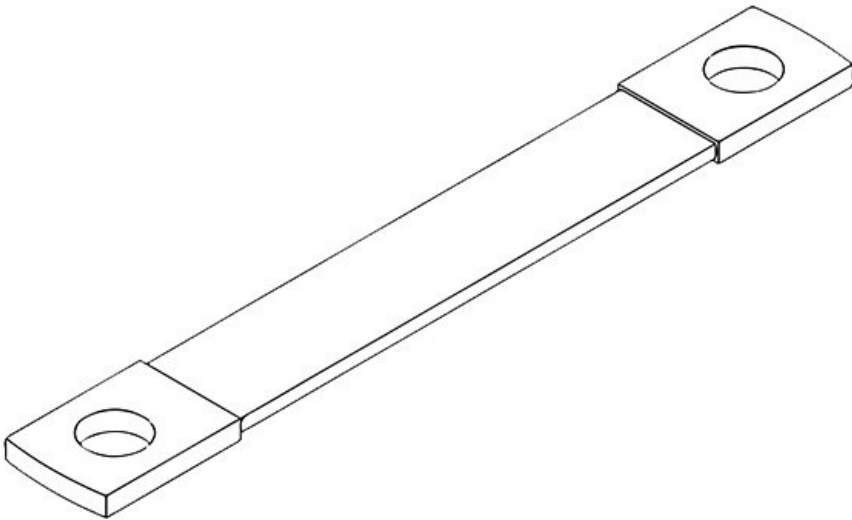
MB 250|10|M6+M8

Part No.	32742	Height	3 mm
EAN	4251269301	Hole size	M6/ M8
	582	Cross-section	10 mm²
Package quantity	1	Current load	89 - 106 A
Length	250 mm		
Length L1	22 mm		
Length L2	260 mm		
Width	16 mm		



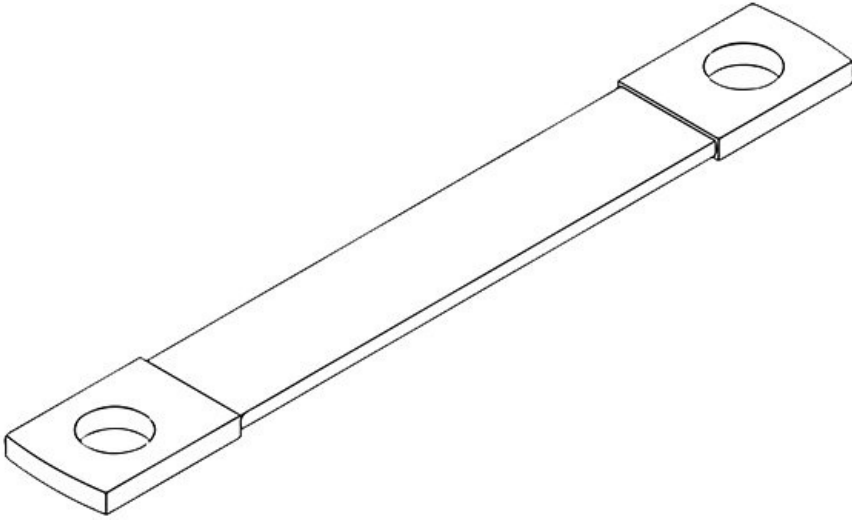
MB 250|16|M6+M8

Part No.	32774	Height	3 mm
EAN	4251269301	Hole size	M6/ M8
	742	Cross-section	16 mm²
Package quantity	1	Current load	132 - 157 A
Length	250 mm		
Length L1	22 mm		
Length L2	270 mm		
Width	16 mm		



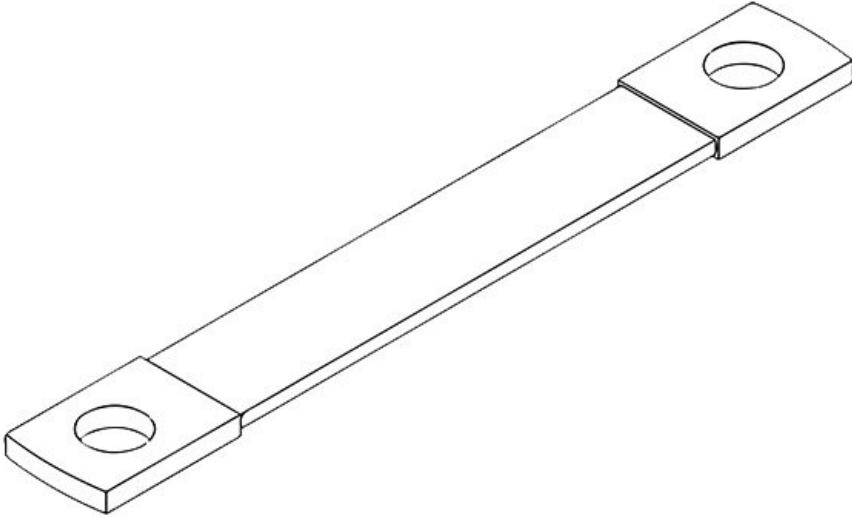
MB 250|16|M8

Part No.	32766	Height	3 mm
EAN	4251269301667	Hole size	M8
		Cross-section	16 mm²
Package quantity	1	Current load	132 - 157 A
Length	250 mm		
Length L1	22 mm		
Length L2	270 mm		
Width	16 mm		



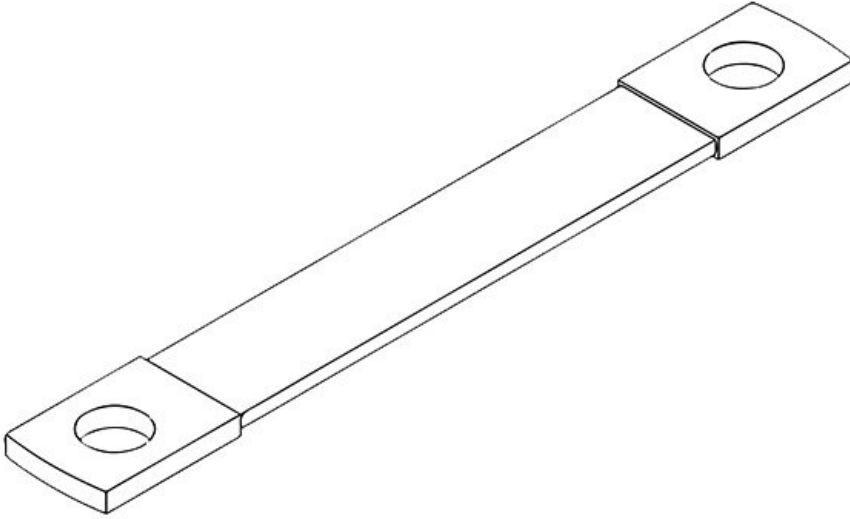
MB 250|25|M10

Part No.	32805	Height	4 mm
EAN	4251269301810	Hole size	M10
		Cross-section	25 mm²
Package quantity	1	Current load	177 - 210 A
Length	250 mm		
Length L1	22 mm		
Length L2	273 mm		
Width	21 mm		



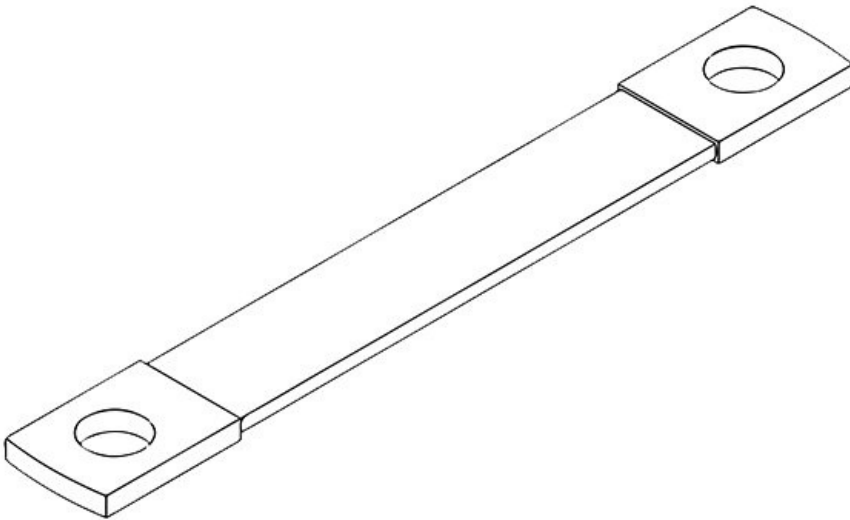
MB 250|25|M8

Part No.	32804	Height	4 mm
EAN	4251269301	Hole size	M8
	803	Cross-section	25 mm²
Package quantity	1	Current load	177 - 210 A
Length	250 mm		
Length L1	22 mm		
Length L2	273 mm		
Width	21 mm		



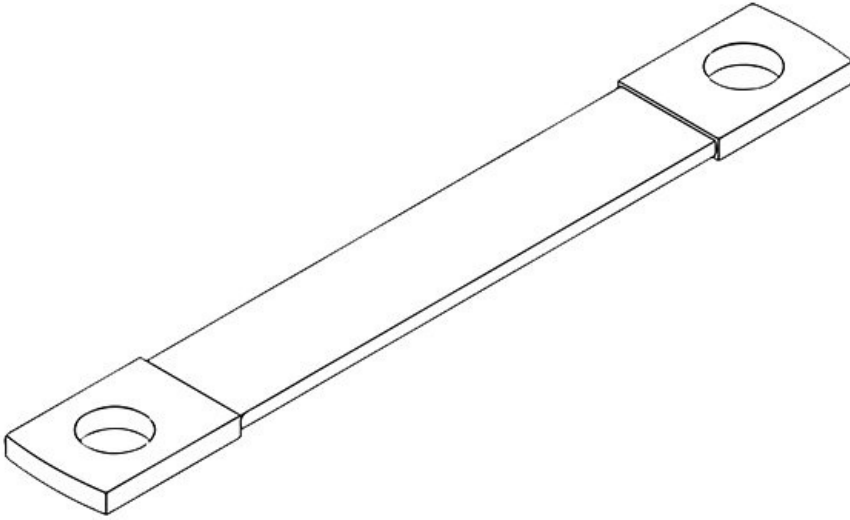
MB 250|35|M10

Part No.	32824	Height	4,5 mm
EAN	4251269322	Hole size	M10
	174	Cross-section	35 mm²
Package quantity	1	Current load	230 - 275 A
Length	250 mm		
Length L1	25 mm		
Length L2	277 mm		
Width	26 mm		

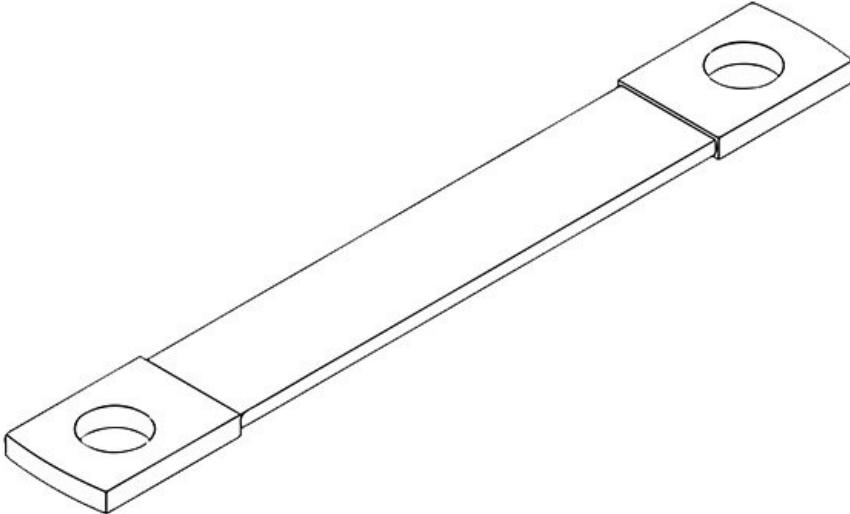


MB 250|50|M10

Part No.	32849	Height	5 mm
EAN	4251269322	Hole size	M10
	211	Cross-section	50 mm²
Package quantity	1	Current load	280 - 350 A
Length	250 mm		
Length L1	25 mm		
Length L2	277 mm		
Width	16 mm		

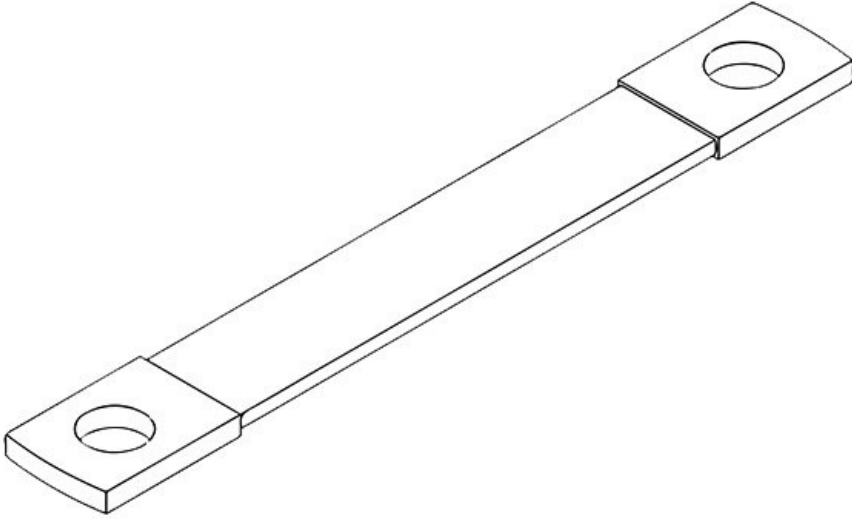
**MB 250|6|M6**

Part No.	32706	Height	2 mm
EAN	4251269301	Hole size	M6
	469	Cross-section	6 mm²
Package quantity	1	Current load	67 - 80 A
Length	250 mm		
Length L1	14 mm		
Length L2	263 mm		
Width	10 mm		



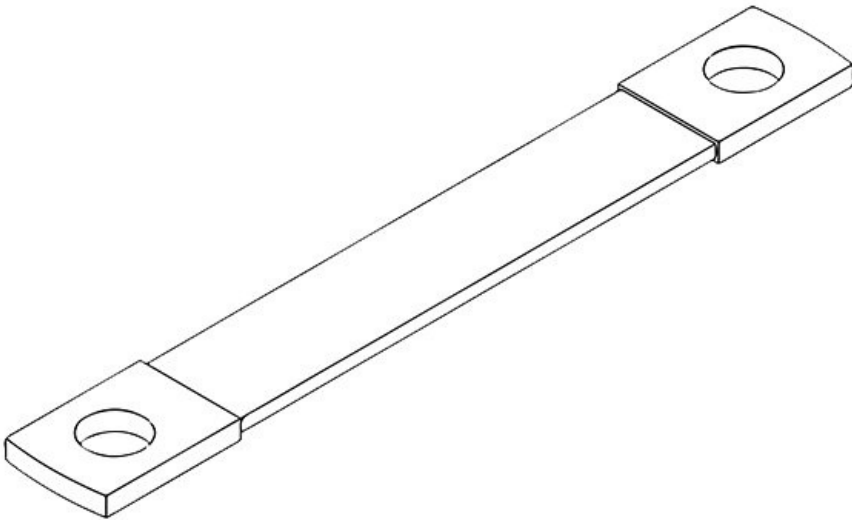
MB 300|10|M6

Part No.	32735	Height	3 mm
EAN	4251269301	Hole size	M6
	520	Cross-section	10 mm²
Package quantity	1	Current load	89 - 106 A
Length	300 mm		
Length L1	22 mm		
Length L2	320 mm		
Width	16 mm		



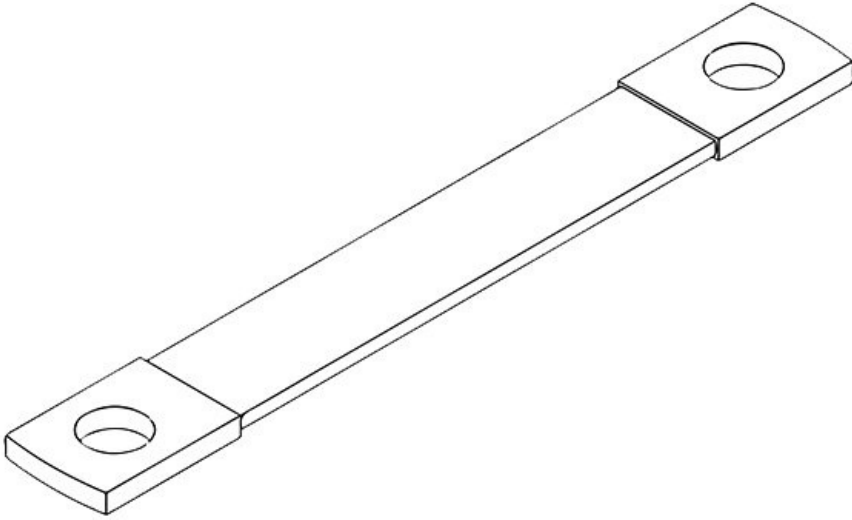
MB 300|10|M6+M8

Part No.	32743	Height	3 mm
EAN	4251269301	Hole size	M6/ M8
	599	Cross-section	10 mm²
Package quantity	1	Current load	89 - 106 A
Length	300 mm		
Length L1	22 mm		
Length L2	320 mm		
Width	16 mm		



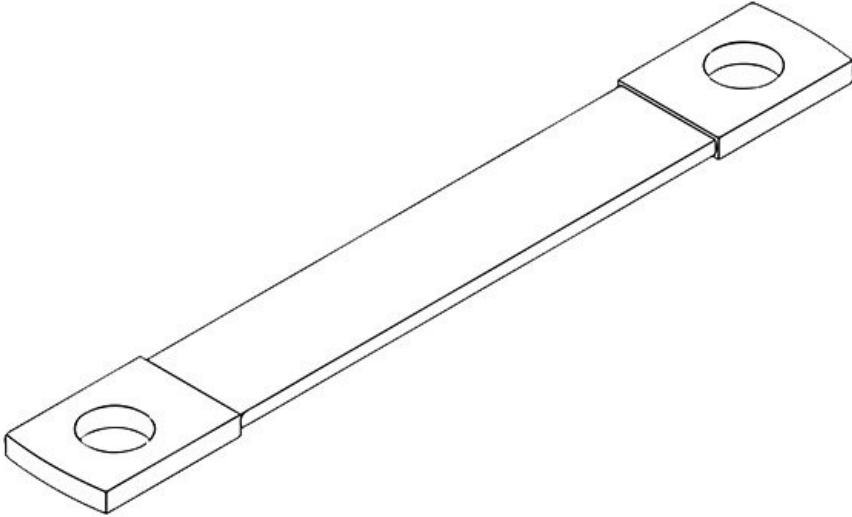
MB 300|10|M8

Part No.	32736	Height	3 mm
EAN	4251269301	Hole size	M8
	537	Cross-section	10 mm²
Package quantity	1	Current load	89 - 106 A
Length	300 mm		
Length L1	22 mm		
Length L2	320 mm		
Width	16 mm		



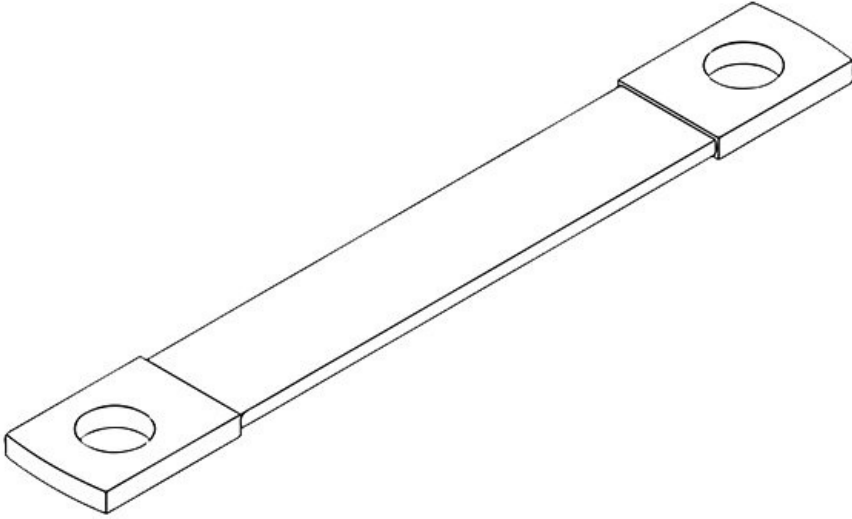
MB 300|16|M6

Part No.	32767	Height	3 mm
EAN	4251269301	Hole size	M6
	674	Cross-section	16 mm²
Package quantity	1	Current load	132 - 157 A
Length	300 mm		
Length L1	22 mm		
Length L2	320 mm		
Width	16 mm		



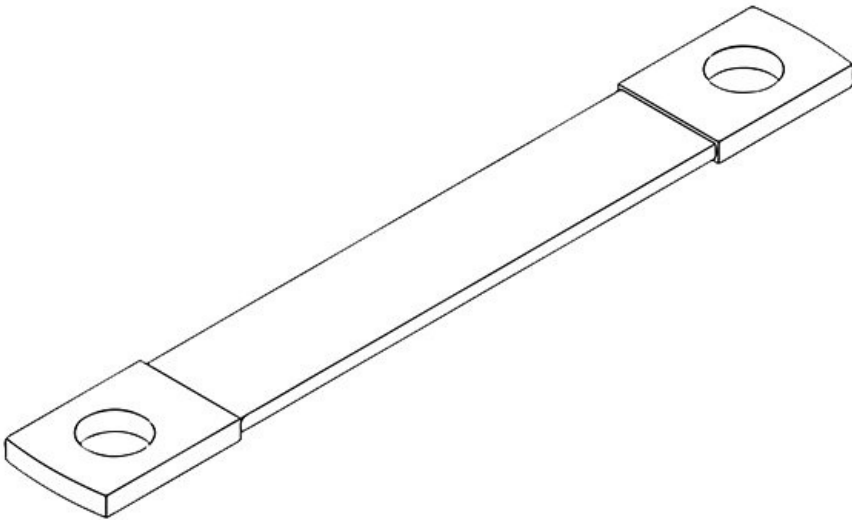
MB 300|16|M6+M8

Part No.	32775	Height	3 mm
EAN	4251269301759	Hole size	M6/ M8
Package quantity	1	Cross-section	16 mm²
Length	300 mm	Current load	132 - 157 A
Length L1	22 mm		
Length L2	320 mm		
Width	16 mm		



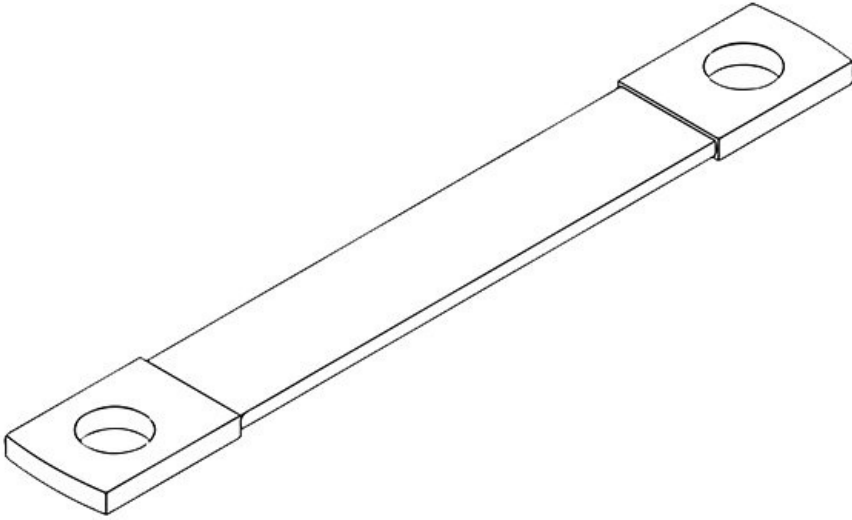
MB 300|16|M8

Part No.	32768	Height	3 mm
EAN	4251269301681	Hole size	M8
Package quantity	1	Cross-section	16 mm²
Length	300 mm	Current load	132 - 157 A
Length L1	22 mm		
Length L2	320 mm		
Width	16 mm		



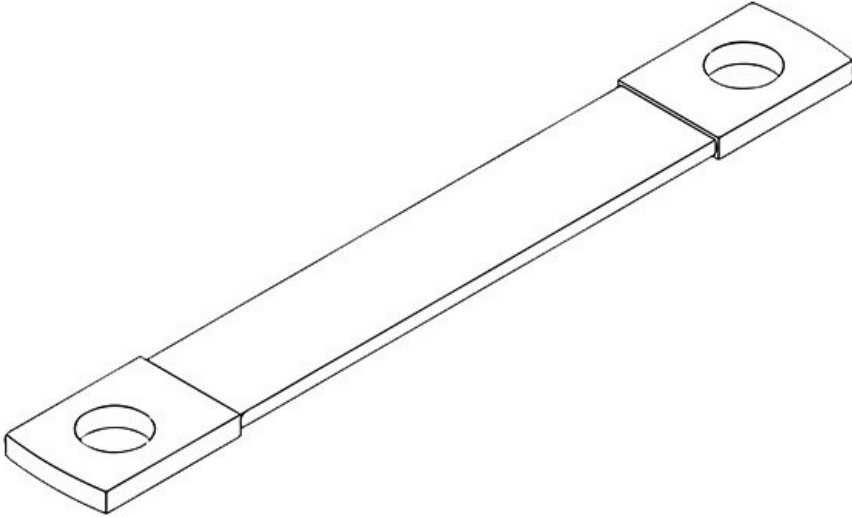
MB 300|25|M10

Part No.	32807	Height	4 mm
EAN	4251269301	Hole size	M10
	834	Cross-section	25 mm²
Package quantity	1	Current load	177 - 210 A
Length	300 mm		
Length L1	22 mm		
Length L2	323 mm		
Width	21 mm		



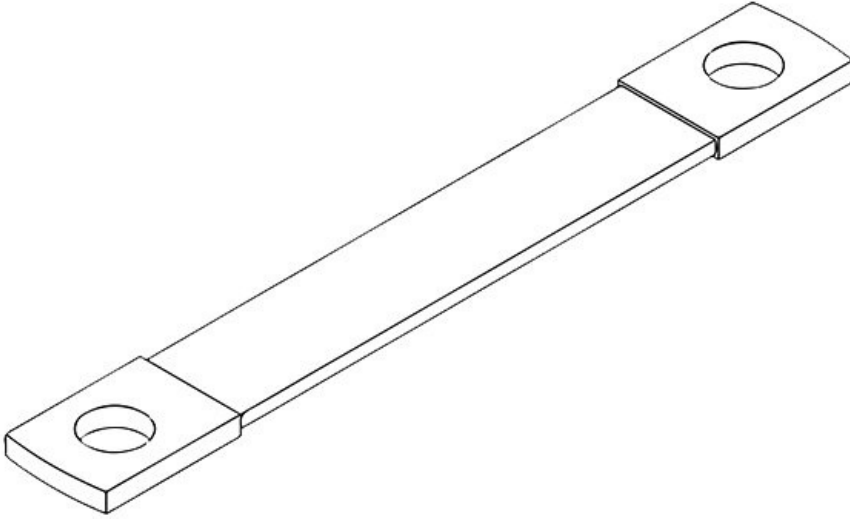
MB 300|25|M8

Part No.	32806	Height	4 mm
EAN	4251269301	Hole size	M8
	827	Cross-section	25 mm²
Package quantity	1	Current load	177 - 210 A
Length	300 mm		
Length L1	22 mm		
Length L2	323 mm		
Width	21 mm		



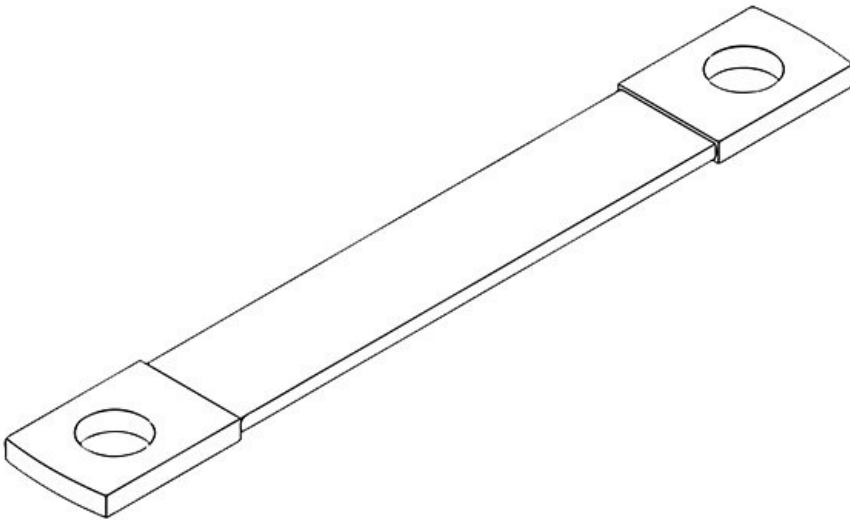
MB 300|35|M10

Part No.	32825	Height	4,5 mm
EAN	4251269322	Hole size	M10
	181	Cross-section	35 mm²
Package quantity	1	Current load	230 - 275 A
Length	300 mm		
Length L1	25 mm		
Length L2	327 mm		
Width	26 mm		



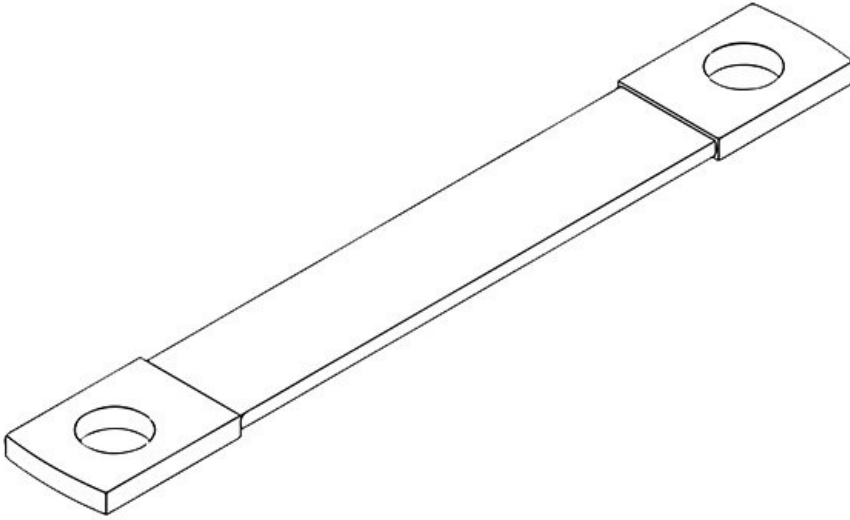
MB 300|50|M10

Part No.	32850	Height	5 mm
EAN	4251269322	Hole size	M10
	228	Cross-section	50 mm²
Package quantity	1	Current load	280 - 350 A
Length	300 mm		
Length L1	25 mm		
Length L2	327 mm		
Width	26 mm		

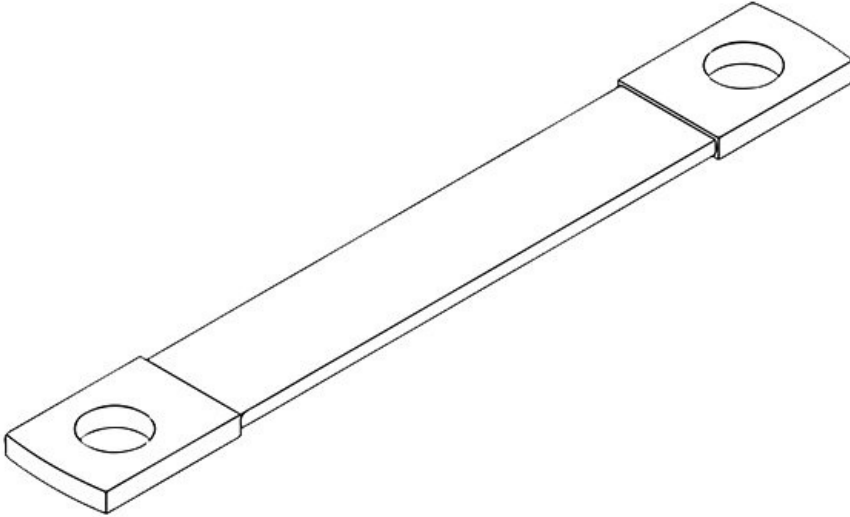


MB 300|6|M6

Part No.	32703	Height	2 mm
EAN	4251269301	Hole size	M6
	438	Cross-section	6 mm²
Package quantity	1	Current load	67 - 80 A
Length	300 mm		
Length L1	14 mm		
Length L2	313 mm		
Width	10 mm		

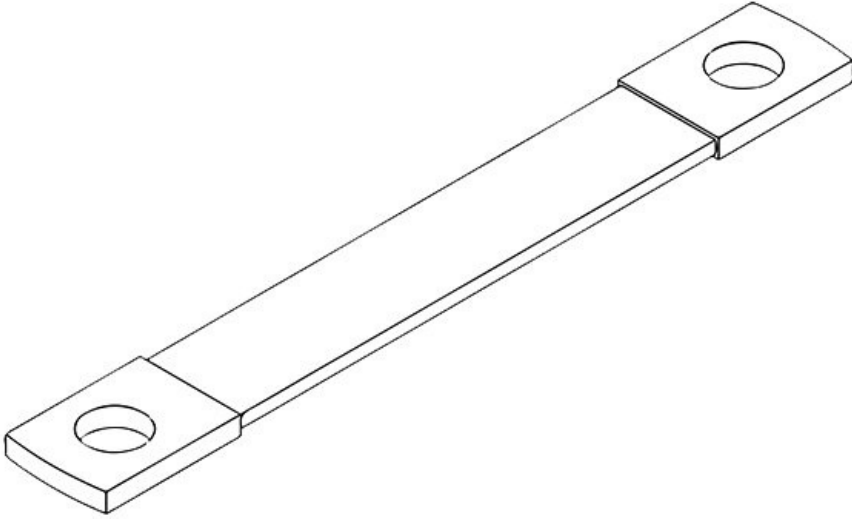
**MB 300|70|M10**

Part No.	32870	Height	6,2 mm
EAN	4251269322	Hole size	M10
	242	Cross-section	70 mm²
Package quantity	1	Current load	338 - 403 A
Length	300 mm		
Length L1	25 mm		
Length L2	327 mm		
Width	26 mm		



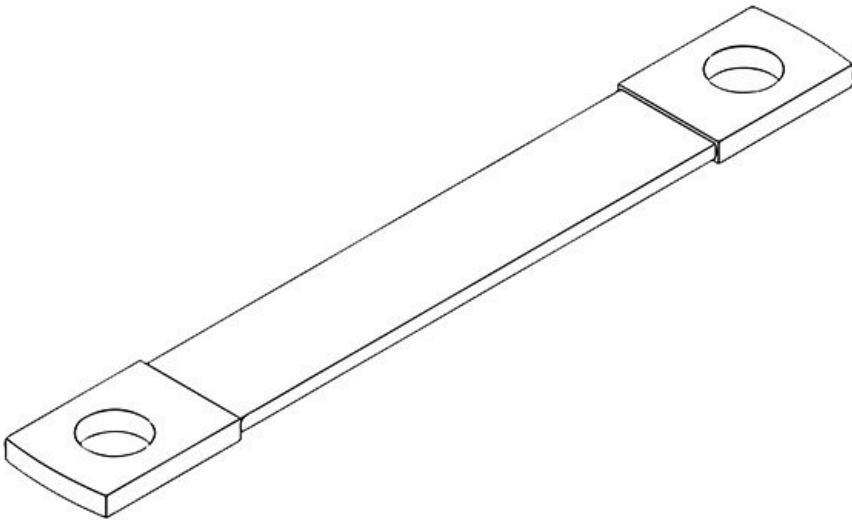
MB 350|16|M5+M6

Part No.	32777	Height	3 mm
EAN	4251269322	Hole size	M5/ M6
	112	Cross-section	16 mm²
Package quantity	1	Current load	132 - 157
Length	350 mm		
Length L1	22 mm		
Length L2	370 mm		
Width	16 mm		



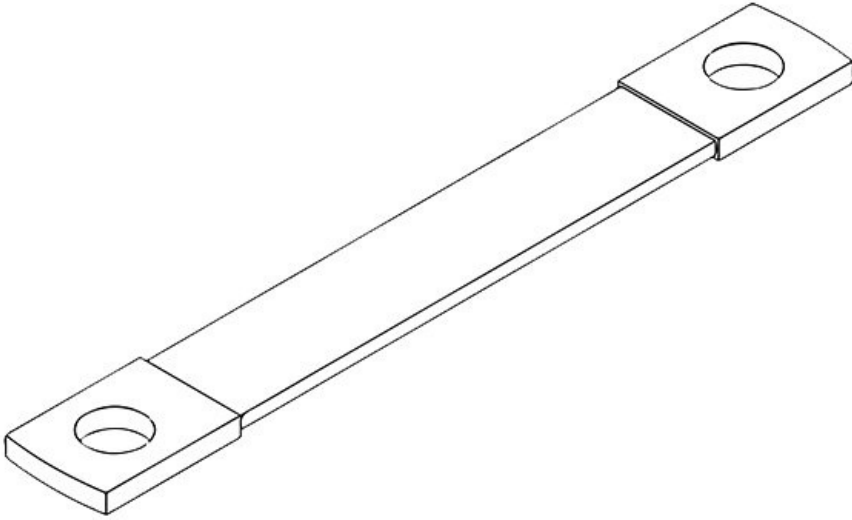
MB 350|16|M8

Part No.	32769	Height	3 mm
EAN	4251269301	Hole size	M8
	698	Cross-section	16 mm²
Package quantity	1	Current load	132 - 157 A
Length	350 mm		
Length L1	22 mm		
Length L2	370 mm		
Width	16 mm		



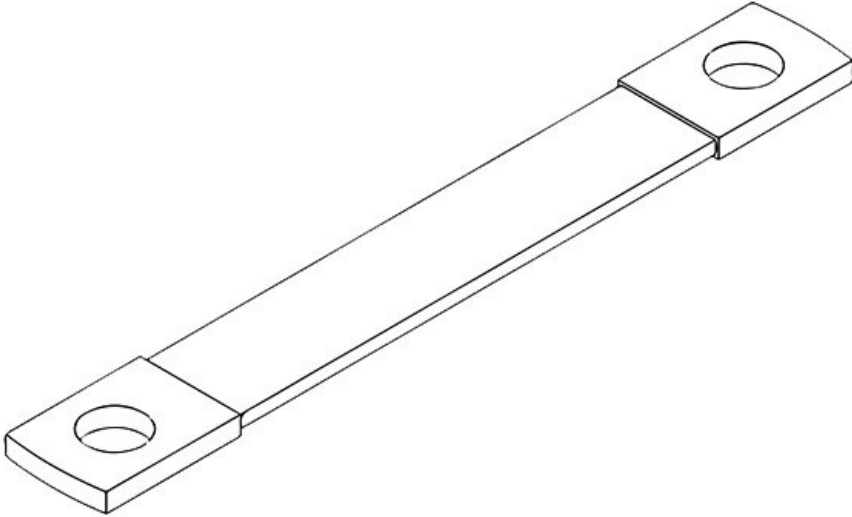
MB 350|25|M10

Part No.	32808	Height	4 mm
EAN	4251269301	Hole size	M10
	841	Cross-section	25 mm²
Package quantity	1	Current load	177 - 210 A
Length	350 mm		
Length L1	22 mm		
Length L2	373 mm		
Width	21 mm		



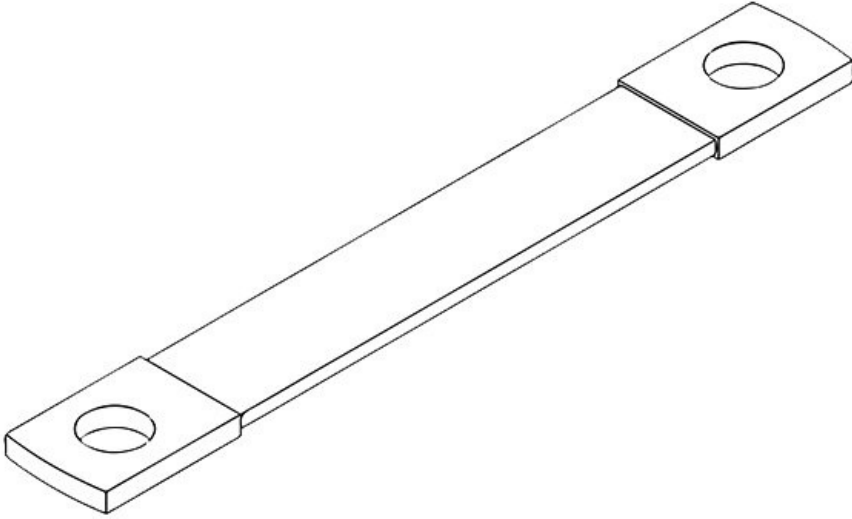
MB 400|10|M4

Part No.	32878	Height	3 mm
EAN	4251269324	Hole size	M4
	130	Cross-section	10 mm²
Package quantity	1	Current load	89 - 106 A
Length	400 mm		
Length L1	22 mm		
Length L2	420 mm		
Width	16 mm		



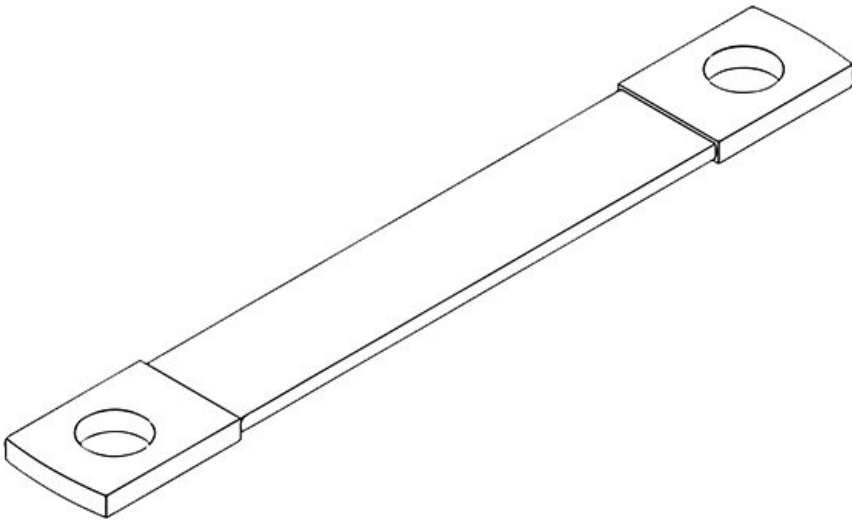
MB 400|10|M6

Part No.	32737	Height	3 mm
EAN	4251269301	Hole size	M6
	544	Cross-section	10 mm²
Package quantity	1	Current load	89 - 106 A
Length	400 mm		
Length L1	22 mm		
Length L2	420 mm		
Width	16 mm		



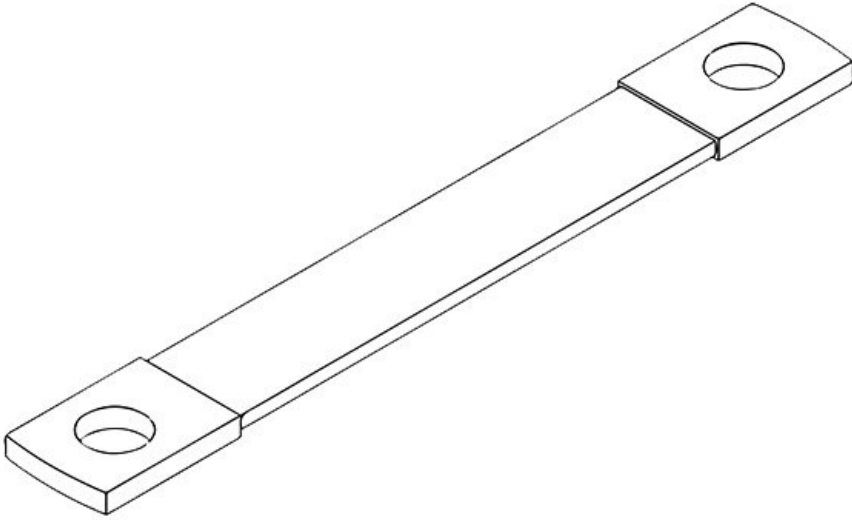
MB 400|10|M8

Part No.	32738	Height	3 mm
EAN	4251269301	Hole size	M8
	551	Cross-section	10 mm²
Package quantity	1	Current load	89 - 106 A
Length	400 mm		
Length L1	22 mm		
Length L2	420 mm		
Width	16 mm		



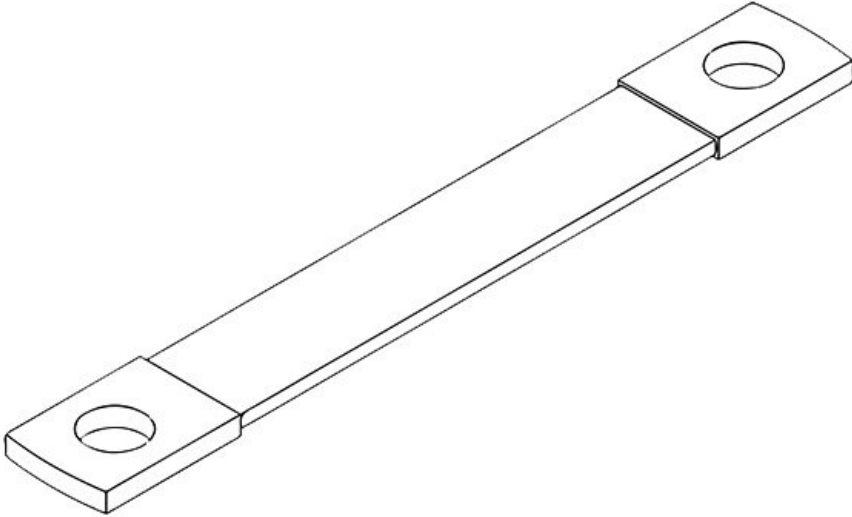
MB 400|16|M6

Part No.	32873	Height	3 mm
EAN	4251269322	Hole size	M6
	129	Cross-section	16 mm²
Package quantity	1	Current load	132 - 157 A
Length	400 mm		
Length L1	22 mm		
Length L2	420 mm		
Width	16 mm		



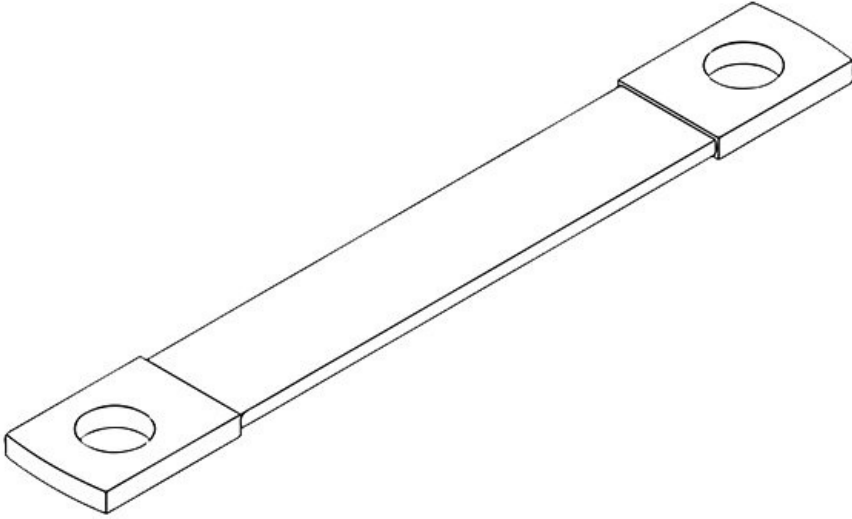
MB 400|16|M8

Part No.	32770	Height	3 mm
EAN	4251269301	Hole size	M8
	704	Cross-section	16 mm²
Package quantity	1	Current load	132 - 157 A
Length	400 mm		
Length L1	22 mm		
Length L2	420 mm		
Width	16 mm		



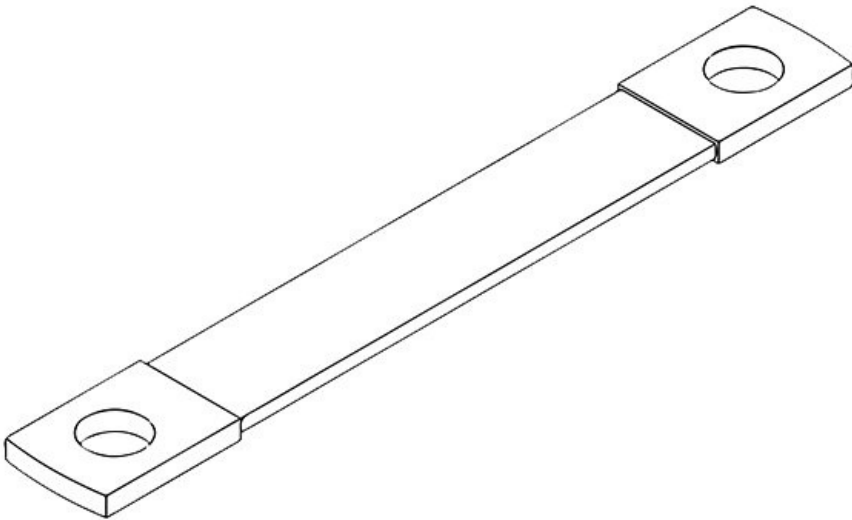
MB 400|25|M8

Part No.	32809	Height	4 mm
EAN	4251269301	Hole size	M8
	858	Cross-section	25 mm²
Package quantity	1	Current load	177 - 210 A
Length	400 mm		
Length L1	22 mm		
Length L2	423 mm		
Width	21 mm		



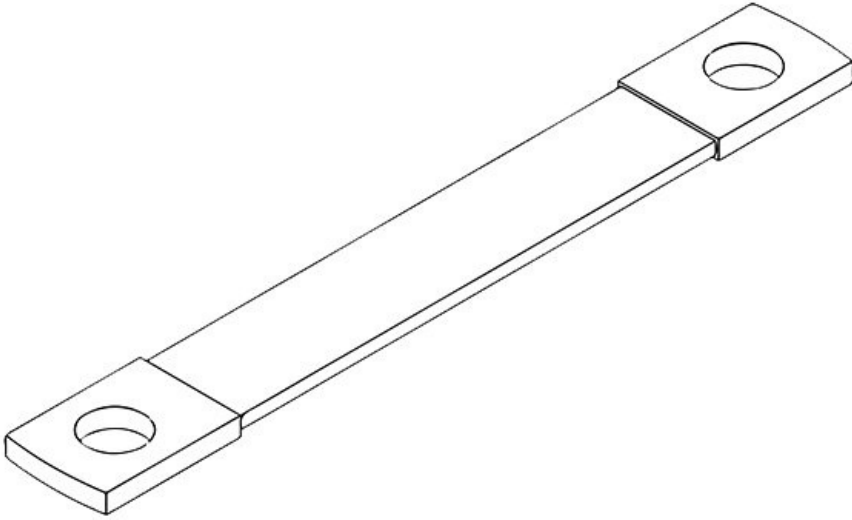
MB 400|6|M6

Part No.	32704	Height	2 mm
EAN	4251269301	Hole size	M6
	445	Cross-section	6 mm²
Package quantity	1	Current load	67 - 80 A
Length	400 mm		
Length L1	14 mm		
Length L2	413 mm		
Width	10 mm		



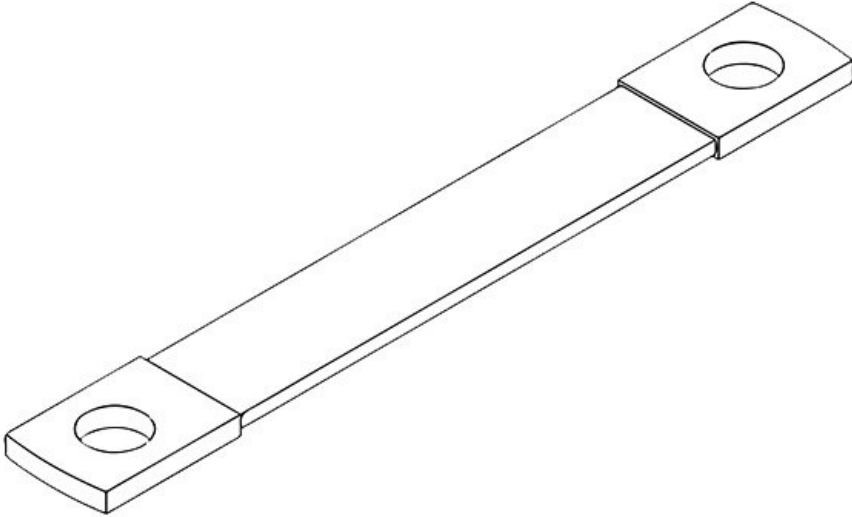
MB 500|10|M6

Part No.	32739	Height	3 mm
EAN	4251269301	Hole size	M6
	568	Cross-section	10 mm²
Package quantity	1	Current load	89 - 106 A
Length	500 mm		
Length L1	22 mm		
Length L2	520 mm		
Width	16 mm		



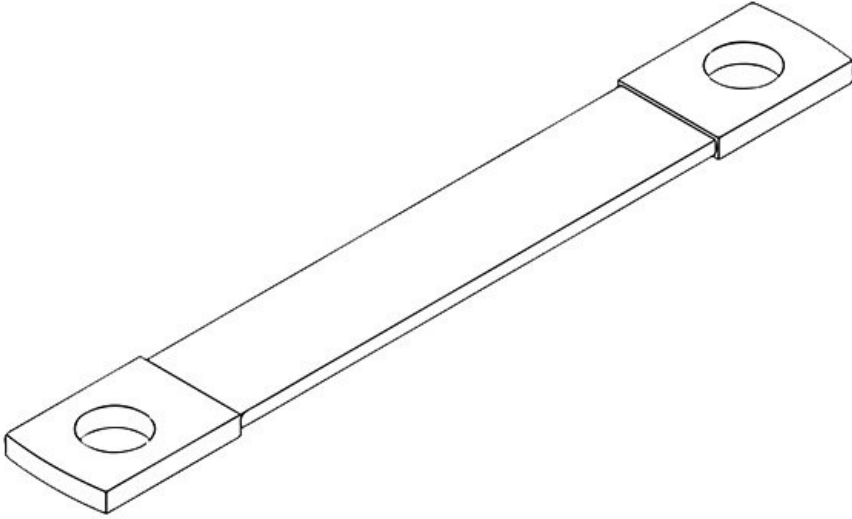
MB 500|16|M8

Part No.	32771	Height	3 mm
EAN	4251269301	Hole size	M8
	711	Cross-section	16 mm²
Package quantity	1	Current load	132 - 157 A
Length	500 mm		
Length L1	22 mm		
Length L2	520 mm		
Width	16 mm		



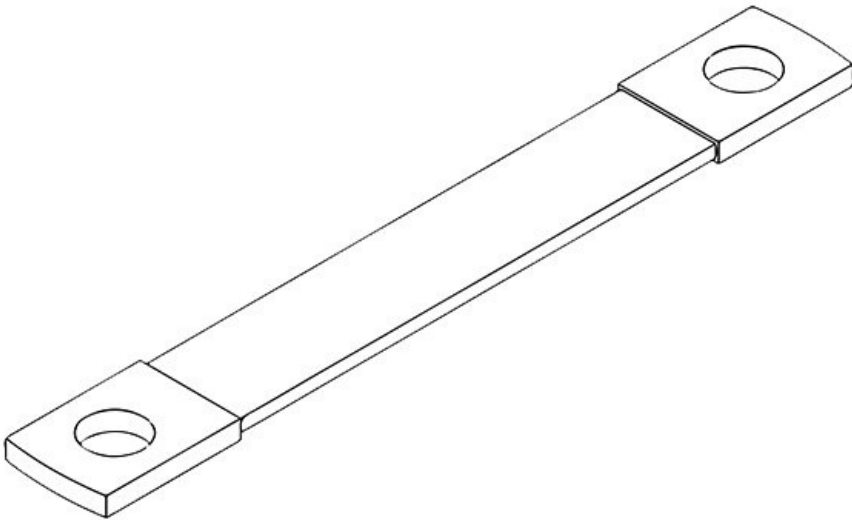
MB 500|25|M10

Part No.	32812	Height	4 mm
EAN	4251269322	Hole size	M10
	143	Cross-section	25 mm²
Package quantity	1	Current load	177 - 210 A
Length	500 mm		
Length L1	22 mm		
Length L2	523 mm		
Width	21 mm		



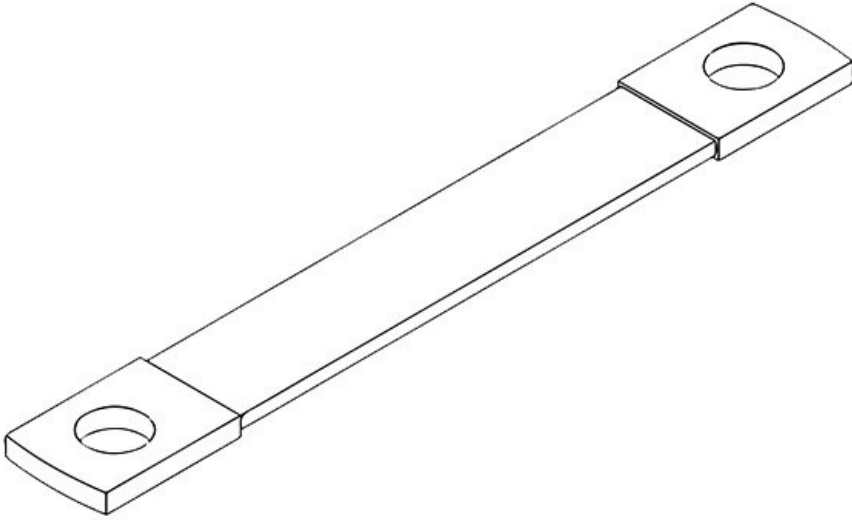
MB 500|25|M8

Part No.	32810	Height	4 mm
EAN	4251269301	Hole size	M8
	865	Cross-section	25 mm²
Package quantity	1	Current load	177 - 210 A
Length	500 mm		
Length L1	22 mm		
Length L2	523 mm		
Width	21 mm		

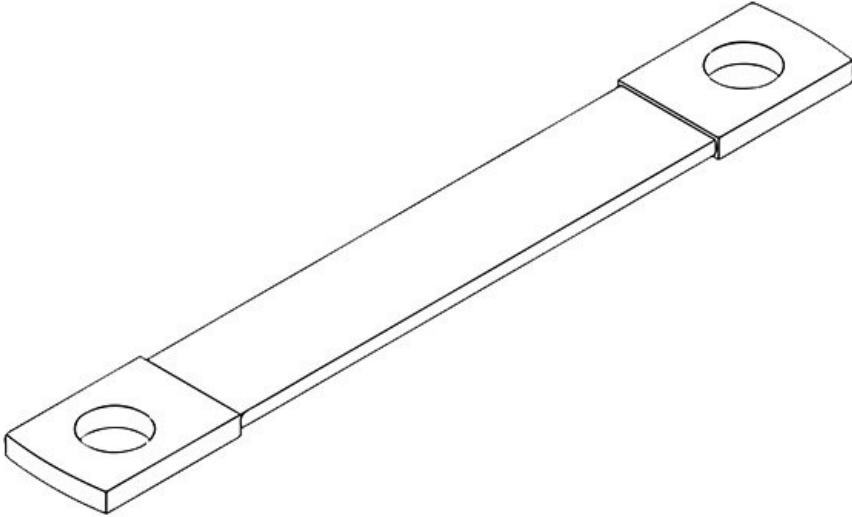


MB 500|6|M6

Part No.	32705	Height	2 mm
EAN	4251269301	Hole size	M6
	452	Cross-section	6 mm²
Package quantity	1	Current load	67 - 80 A
Length	500 mm		
Length L1	14 mm		
Length L2	513 mm		
Width	10 mm		

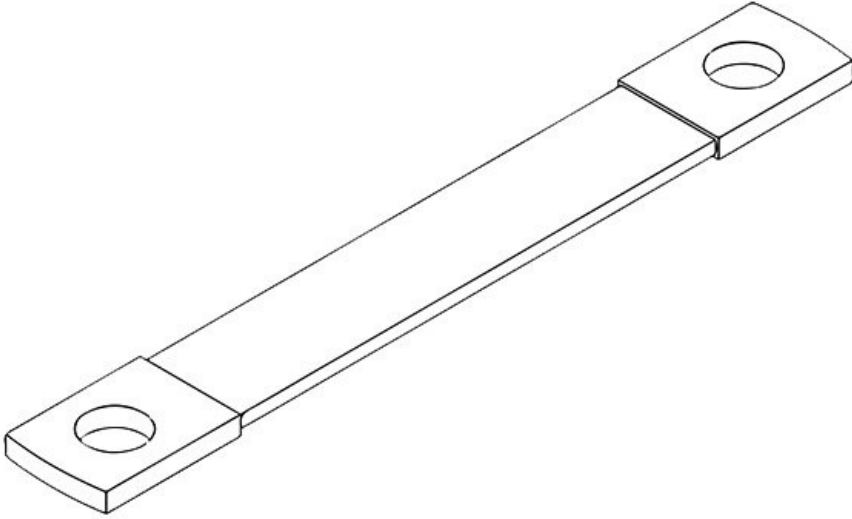
**MB 500|70|M10**

Part No.	32872	Height	6,2 mm
EAN	4251269322	Hole size	M10
	259	Cross-section	70 mm²
Package quantity	1	Current load	338 - 403 A
Length	500 mm		
Length L1	25 mm		
Length L2	527 mm		
Width	26 mm		



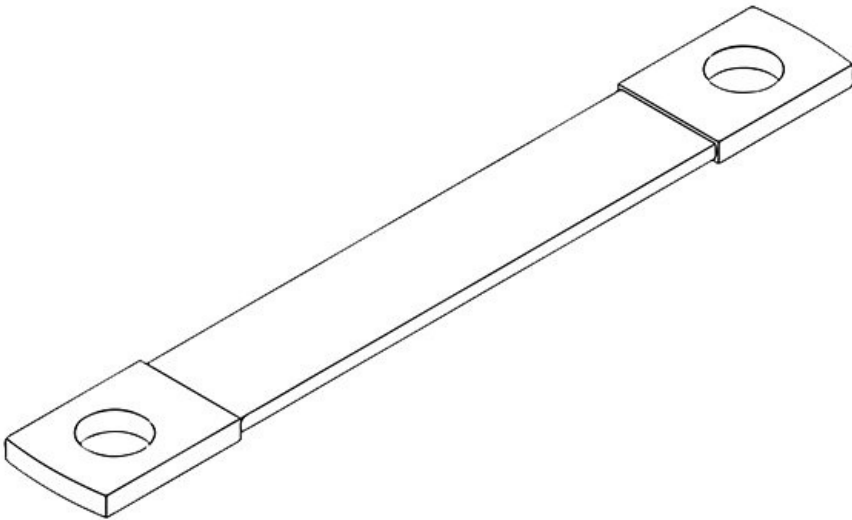
MB 600|16|M8

Part No.	32772	Height	3 mm
EAN	4251269301728	Hole size	M8
		Cross-section	16 mm²
Package quantity	1	Current load	132 - 157 A
Length	600 mm		
Length L1	22 mm		
Length L2	620 mm		
Width	16 mm		



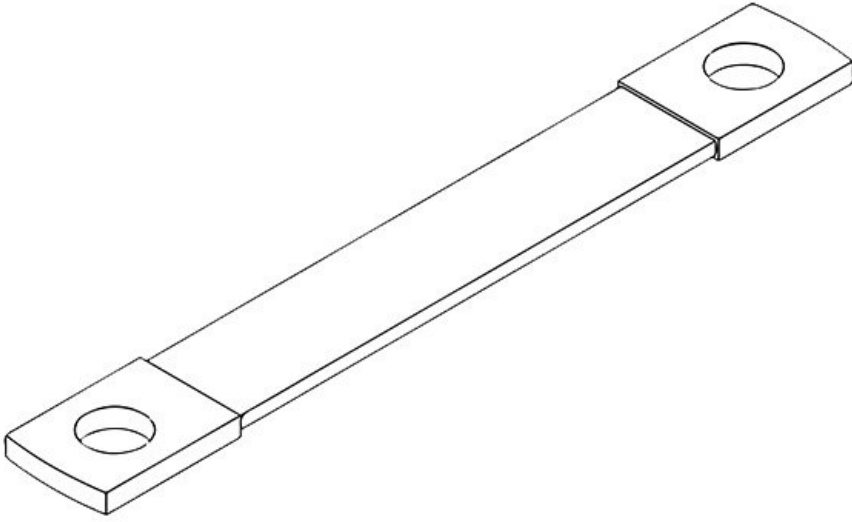
MB 600|25|M8

Part No.	32811	Height	4 mm
EAN	4251269301872	Hole size	M8
		Cross-section	25 mm²
Package quantity	1	Current load	177 - 210 A
Length	600 mm		
Length L1	22 mm		
Length L2	623 mm		
Width	21 mm		



MB 800|25|M8

Part No.	32815	Height	4 mm
EAN	4251269322	Hole size	M8
	150	Cross-section	25 mm²
Package quantity	1	Current load	177 - 210 A
Length	800 mm		
Length L1	22 mm		
Length L2	823 mm		
Width	21 mm		



icotek[®]
smart cable management